



Cable Lugs and Connectors

Product Catalogue

Also available:

- Low Voltage ABC Accessories Product Catalogue
- Heat Shrink Product Catalogue

ABOUT MELEC

Shanghai Jiameng Electrical Equipment Co., Ltd. also known as MELEC, was founded in 1992. In 2011, both of our subsidiaries, Jiangsu Jiameng Electrical Equipment Co., Ltd. and Shanghai Jiameng International Trading Co., Ltd. were formed. We are specialized in production of high quality cable accessories. Our company has expanded to more than 450 employees with a factory compound of more than 50,000 square meters. Our products include cable lugs, cable connectors, aerial bundled cable accessories, and heat shrink accessories.

OUR PROGRESS

Directed by a group of experienced professionals and certified by ISO 9001:2015 Quality Management Systems, most of our products have met IEC, NFC and EN international standard. By matching up with the highest requirements along with our ever advancing technology, MELEC is gradually gaining reputation in both quality and reliability.

Our in-house laboratory has been established for over a decade, and our rich experience and advanced equipments enable us to bring more value to our customers. We have offered 1000 different products which are sold to over 100 countries across the globe. We will continue our dedicated effort to improve product performance and reliability with our expertise and resources.





OUR VALUES

Our mission is to make the best of what we do, we determine to provide quality products and services to our customers, and help our customers to achieve their goals. We are forerunners in many areas of our field, and we will continue to improve ourselves to set the industry's trend.

We have exceptional business ethic and work ethic, we value the importance of honesty, and we always get things done as we promised. We believe reliable products come from responsible people. We look forward to providing new products, expanded technical support and improved service to help your business reach higher level of success.



MELEC Make Cable Connections More Reliable



Contents

MELEC NORM

· JM(JGK), CABLE LUG	02-04
· JM(JGY), CABLE LUG	05-06
· JM(JGA), CABLE LUG	07-08
· JM(JGB), CABLE LUG	09-10
· GTY, CABLE LINK	11
· TM, CABLE LUG	12
· U-T, "C" TYPE CONNECTOR	13
· CALB-N, BIMETAL LUG	14
· MCCB, BIMETAL LUG	15
· ATL, BIMETAL LUG	16
· CAL-BS, BIMETAL LUG	17-18
· CAL-A, BIMETAL LUG	19-20
· GTL, BIMETAL CONNECTOR	21-22
· GTLZ, BIMETAL PIN LUG	23
· GTLP, BIMETAL PIN LUG	23
· GLM, ALUMINIUM CONNECTOR	24
· CLL, MECHANICAL CONNECTOR	25
· JTLL, MECHANICAL BIMETAL LUG	26
· AUL, MECHANICAL LUG	27
· AUL-LP, MECHANICAL LUG	28
· AULZ, MECHANICAL LUG	29
· GLL, MECHANICAL CONNECTOR	30
· DTLL, MECHANICAL BIMETAL LUG	31
· AZGJ-1050, JLBS-380, TOOLS	32

GERMANY NORM

· AUS, CABLE LUG	34-35
· GTD, CABLE LINK	36
· AU, ALUMINIUM LUG	37
· GLI, ALUMINIUM CONNECTOR	38
· CAL-BG, BIMETAL LUG	39
· GTLD, BIMETAL CONNECTOR	40-41
· GTLZD, BIMETAL PIN LUG	42

FRENCH NORM

· CAUBT, BIMETAL LUG	44
· CXAU, BIMETAL LUG	45
· RJ-U, CABLE LINK	46
· RJ-XA, ALUMINIUM CONNECTOR	47
· RJ-XAU, BIMETAL CONNECTOR	48

AUSTRALIAN NORM

· JGC, CABLE LUG	50-51
· GTC, CABLE LINK	52

JOINTING COMPOUND

· DDG, JOINTING COMPOUND	54
--------------------------	----

CABLE CONNECTORS

· PARALLEL GROOVE CONNECTORS	56-57
· BOLTED BRASS CONNECTORS	58-59

CRIMPING TOOL

· JMD-300A, BATTERY POWERED HYDRAULIC CRIMPING TOOL	61
· JMD-630A, BATTERY POWERED HYDRAULIC CRIMPING TOOL	62
· JM-240B, HYDRAULIC CRIMPING TOOL	63
· JM-240C, HYDRAULIC CRIMPING TOOL	64
· CH-240, HYDRAULIC CRIMPING HEAD	65
· CH-630, HYDRAULIC CRIMPING HEAD	65
· T-630, HYDRAULIC CRIMPING HEAD	66
· T-1000, HYDRAULIC CRIMPING HEAD	67
· BF-70B, BF-70D, FOOT PUMP	68
· BH-70B, BH-70D, HAND PUMP	68

01/32

MELEC NORM

JM(JGK), CABLE LUG	02-04
JM(JGY), CABLE LUG	05-06
JM(JGA), CABLE LUG	07-08
JM(JGB), CABLE LUG	09-10
GTU, CABLE LINK	11
TM, CABLE LUG	12
U-T, "C" TYPE CONNECTOR	13
CALB-N, BIMETAL LUG	14
MCCB, BIMETAL LUG	15
ATL, BIMETAL LUG	16
CAL-BS, BIMETAL LUG	17-18
CAL-A, BIMETAL LUG	19-20
GTL, BIMETAL CONNECTOR	21-22
GTLZ, BIMETAL PIN LUG	23
GTLP, BIMETAL PIN LUG	23
GLM, ALUMINIUM CONNECTOR	24
CLL, MECHANICAL CONNECTOR	25
JTLL, MECHANICAL BIMETAL LUG	26
AUL, MECHANICAL LUG	27
AUL-LP, MECHANICAL LUG	28
AULZ, MECHANICAL LUG	29
GLL, MECHANICAL CONNECTOR	30
DTLL, MECHANICAL BIMETAL LUG	31
AZGJ-1050, JLBS-380, TOOLS	32



JM(JGK), CABLE LUG

Application:

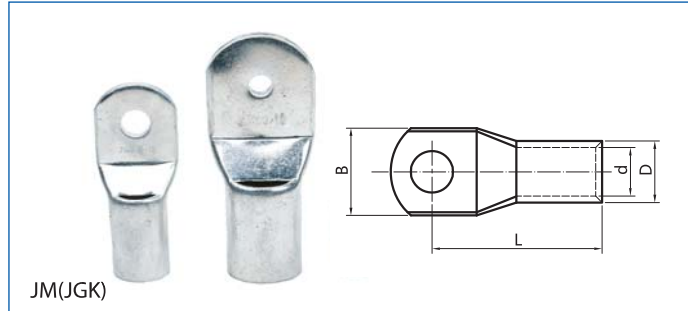
Used for connection of copper cable with copper end of electrical equipment in low voltage.

Material: Cu ≥ 99.9%

Surface: tin plated

Feature:

- There is an arc-shaped viewing window on bevel for checking the location of conductor.



Type	Conductor Size (mm ²)	Dimensions				Stud Size	Pack(pcs)	Crimping Die
		L(mm)	d(mm)	D(mm)	B(mm)			
JM(JGK)1.5-4	1.5	14	1.9	3.1	7.5	M4	2000x12	-
JM(JGK)1.5-5		14	1.9	3.1	8	M5		
JM(JGK)1.5-6		13	1.9	3.35	9	M6		
JM(JGK)2.5-4	2.5	15	2.8	4	8	M4	2000x12	-
JM(JGK)2.5-5		15.5	2.8	4	8	M5		
JM(JGK)2.5-6		15.5	2.6	4	9	M6		
JM(JGK)4-4	4	16	3.2	4.5	8	M4	1500x12	-
JM(JGK)4-5		16.5	3.2	4.5	8	M5		
JM(JGK)4-6		17	3.2	4.5	9.3	M6		
JM(JGK)6-4	6	17.5	3.7	5.1	9.2	M4	1000x12	-
JM(JGK)6-5		17.5	3.7	5.1	9.2	M5		
JM(JGK)6-6		18	3.7	5.1	9.8	M6		
JM(JGK)6-8		18	3.7	5.3	12	M8		
JM(JGK)6-10		17.5	3.7	5.3	12.8	M10		
JM(JGK)10-5	10	19	4.5	6.1	10.3	M5	800x12	-
JM(JGK)10-6		19	4.5	6.1	10.3	M6		
JM(JGK)10-8		19	4.5	6.1	12	M8		
JM(JGK)10-10		20	4.5	6.3	13.2	M10		
JM(JGK)16-6	16	22	5.7	7.3	11	M6	500x12	MT16
JM(JGK)16-8		23	5.7	7.3	12.5	M8		
JM(JGK)16-10		23	5.7	7.5	14	M10		
JM(JGK)25-6	25	26	7.2	9	13.1	M6	300x12	MT25
JM(JGK)25-8		26.5	7.2	9	13.1	M8		
JM(JGK)25-10		26.5	7.2	9	14.5	M10		
JM(JGK)25-12		28.5	7.2	9	16.5	M12		
JM(JGK)35-6	35	28	8.5	10.8	15.8	M6	600x4	MT35
JM(JGK)35-8		29	8.5	10.8	15.8	M8		
JM(JGK)35-10		30	8.5	10.8	15.8	M10		
JM(JGK)35-12		30	8.5	10.8	17.4	M12		

JM(JGK), CABLE LUG

Type	Conductor Size (mm ²)	Dimensions				Stud Size	Pack(pcs)	Crimping Die
		L(mm)	d(mm)	D(mm)	B(mm)			
JM(JGK)50-6	50	32	9.8	12.5	18.1	M6	350x4	MT50
JM(JGK)50-8		33.5	9.8	12.5	18.1	M8		
JM(JGK)50-10		35	9.8	12.5	18.1	M10		
JM(JGK)50-12		35	9.8	12.5	18.3	M12		
JM(JGK)50-14		35	9.8	12.5	18.3	M14		
JM(JGK)70-6	70	38	11.5	14.5	21	M6	250x4	MT70
JM(JGK)70-8		38	11.5	14.5	21	M8		
JM(JGK)70-10		39.5	11.5	14.5	21	M10		
JM(JGK)70-12		39.5	11.5	14.5	21	M12		
JM(JGK)70-14		39.5	11.5	14.5	21	M14		
JM(JGK)70-16		38	11.5	14.5	23	M16		
JM(JGK)95-8	95	45	13.7	17	24.8	M8	150x4	MT95
JM(JGK)95-10		44	13.7	17	24.8	M10		
JM(JGK)95-12		44	13.7	17	24.8	M12		
JM(JGK)95-14		45	13.7	17	24.8	M14		
JM(JGK)95-16		44.5	13.7	17	26	M16		
JM(JGK)120-8	120	48	15	19	27.5	M8	100x4	MT120
JM(JGK)120-10		48	15	19	27.5	M10		
JM(JGK)120-12		49	15	19	27.5	M12		
JM(JGK)120-14		49	15	19	27.5	M14		
JM(JGK)120-16		50	15	19	27.5	M16		
JM(JGK)120-20		51.5	15	19	32	M20		
JM(JGK)150-8	150	56	16.7	21	30	M8	80x4	MT150
JM(JGK)150-10		56	16.7	21	30	M10		
JM(JGK)150-12		56	16.7	21	30	M12		
JM(JGK)150-14		56	16.7	21	30	M14		
JM(JGK)150-16		56	16.7	21	30	M16		
JM(JGK)150-20		57	16.7	21	30	M20		
JM(JGK)185-10	185	61	19.2	23.5	34	M10	60x4	MT185
JM(JGK)185-12		60.5	19.2	23.5	34	M12		
JM(JGK)185-14		61	19.2	23.5	34	M14		
JM(JGK)185-16		62	19.2	23.5	34	M16		
JM(JGK)185-18		61.5	19.2	23.5	34	M18		
JM(JGK)185-20		63	19.2	23.5	34	M20		

Type	Conductor Size (mm ²)	Dimensions				Stud Size	Pack(pcs)	Crimping Die
		L(mm)	d(mm)	D(mm)	B(mm)			
JM(JGK)240-10	240	71	21	26	37.4	M10	40x4	MT240
JM(JGK)240-12		71	21	26	37.4	M12		
JM(JGK)240-14		71.5	21	26	37.4	M14		
JM(JGK)240-16		72.5	21	26	37.4	M16		
JM(JGK)240-20		73.5	21	26	37.4	M20		
JM(JGK)300-10	300	79	24	30	43.2	M10	25x4	MT300
JM(JGK)300-12		78.5	24	30	43.2	M12		
JM(JGK)300-16		78.5	24	30	43.2	M16		
JM(JGK)300-20		80.5	24	30	43.2	M20		
JM(JGK)300-22		80.5	24	30	43.2	M22		
JM(JGK)400-10	400	87.5	27	34	49	M10	18x4	MT400
JM(JGK)400-12		87.5	27	34	49	M12		
JM(JGK)400-16		86.5	27	34	49	M16		
JM(JGK)400-18		89	27	34	49	M18		
JM(JGK)400-20		88.5	27	34	49	M20		
JM(JGK)500-12	500	96.5	30	38	55	M12	12x4	MT500
JM(JGK)500-16		96.5	30	38	55	M16		
JM(JGK)500-20		96.5	30	38	55	M20		
JM(JGK)630-12	630	109	35	44	64	M12	8x4	MT630
JM(JGK)630-14		109	35	44	64	M14		
JM(JGK)630-16		109	35	44	64	M16		
JM(JGK)630-20		109	35	44	64	M20		
JM(JGK)630-22		109	35	44	64	M22		
JM(JGK)630-10/4		91	35	44	64	4xM10		
JM(JGK)800	800	-	39	50	71.5	-	5x4	MT800
JM(JGK)800-16		134	39	50	71.5	M16		
JM(JGK)800-20		134	39	50	71.5	M20		
JM(JGK)800-22		134	39	50	71.5	M22		
JM(JGK)1000	1000	-	44	56	81	-	3x4	MT1000
JM(JGK)1000-20		160	44	56	81	M20	4x4	

JM(JGY), CABLE LUG

Application:

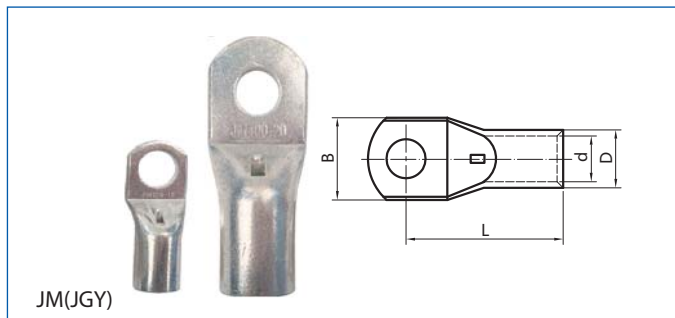
Used for connection of copper cable with copper end of electrical equipment in low voltage.

Material: Cu ≥ 99.9%

Surface: tin plated

Feature:

- There is a rectangular viewing window on bevel for checking the location of conductor.



Type	Conductor Size (mm ²)	Dimensions				Stud Size	Pack(pcs)	Crimping Die
		L(mm)	d(mm)	D(mm)	B(mm)			
JM(JGY)6-4	6	20.5	3.7	5.1	9.2	M4	1000x12	-
JM(JGY)6-5		20.5	3.7	5.1	9.2	M5		
JM(JGY)6-6		20	3.7	5.1	9.8	M6		
JM(JGY)6-8		19	3.7	5.3	12	M8		
JM(JGY)6-10		20.5	3.7	5.3	12.8	M10		
JM(JGY)10-5	10	21	4.5	6.1	10.3	M5	800x12	-
JM(JGY)10-6		21	4.5	6.1	10.3	M6		
JM(JGY)10-8		20	4.5	6.1	12	M8		
JM(JGY)10-10		21.5	4.5	6.3	13.2	M10		
JM(JGY)16-5	16	23	5.7	7.3	11	M5	500x12	MT16
JM(JGY)16-6		23	5.7	7.3	11	M6		
JM(JGY)16-8		24	5.7	7.3	12.5	M8		
JM(JGY)16-10		24	5.7	7.5	14	M10		
JM(JGY)25-6	25	28.5	7.2	9	13.1	M6	300x12	MT25
JM(JGY)25-8		28.5	7.2	9	13.1	M8		
JM(JGY)25-10		27.5	7.2	9	14.5	M10		
JM(JGY)25-12		28.5	7.2	9	16.5	M12		
JM(JGY)35-6	35	30	8.5	10.8	15.8	M6	600x4	MT35
JM(JGY)35-8		30	8.5	10.8	15.8	M8		
JM(JGY)35-10		31	8.5	10.8	15.8	M10		
JM(JGY)35-12		30	8.5	10.8	17.4	M12		
JM(JGY)50-6	50	34.5	9.8	12.5	18.1	M6	350x4	MT50
JM(JGY)50-8		36	9.8	12.5	18.1	M8		
JM(JGY)50-10		36	9.8	12.5	18.1	M10		
JM(JGY)50-12		36	9.8	12.5	18.3	M12		
JM(JGY)50-14		35	9.8	12.5	18.3	M14		
JM(JGY)70-8	70	39.5	11.5	14.5	21	M8	250x4	MT70
JM(JGY)70-10		41	11.5	14.5	21	M10		
JM(JGY)70-12		41	11.5	14.5	21	M12		
JM(JGY)70-16		41	11.5	14.5	23	M16		

Type	Conductor Size (mm ²)	Dimensions				Stud Size	Pack(pcs)	Crimping Die
		L(mm)	d(mm)	D(mm)	B(mm)			
JM(JGY)95-8	95	46.5	13.7	17	24.8	M8	150x4	MT95
JM(JGY)95-10		45.5	13.7	17	24.8	M10		
JM(JGY)95-12		45.5	13.7	17	24.8	M12		
JM(JGY)95-14		47	13.7	17	24.8	M14		
JM(JGY)95-16		47	13.7	17	26	M16		
JM(JGY)120-8	120	50	15	19	27.5	M8	100x4	MT120
JM(JGY)120-10		50	15	19	27.5	M10		
JM(JGY)120-12		51.5	15	19	27.5	M12		
JM(JGY)120-14		51.5	15	19	27.5	M14		
JM(JGY)120-16		53	15	19	27.5	M16		
JM(JGY)120-20		54.5	15	19	32	M20		
JM(JGY)150-8	150	58	16.7	21	30	M8	80x4	MT150
JM(JGY)150-10		58	16.7	21	30	M10		
JM(JGY)150-12		58	16.7	21	30	M12		
JM(JGY)150-14		58	16.7	21	30	M14		
JM(JGY)150-16		58	16.7	21	30	M16		
JM(JGY)185-10	185	64	19.2	23.5	34	M10	60x4	MT185
JM(JGY)185-12		63.5	19.2	23.5	34	M12		
JM(JGY)185-14		63.5	19.2	23.5	34	M14		
JM(JGY)185-16		63	19.2	23.5	34	M16		
JM(JGY)240-10	240	74	21	26	37.4	M10	40x4	MT240
JM(JGY)240-12		74	21	26	37.4	M12		
JM(JGY)240-14		74	21	26	37.4	M14		
JM(JGY)240-16		74	21	26	37.4	M16		
JM(JGY)240-20		76	21	26	37.4	M20		
JM(JGY)300-12	300	80.5	24	30	43.2	M12	25x4	MT300
JM(JGY)300-14		82.5	24	30	43.2	M14		
JM(JGY)300-16		80.5	24	30	43.2	M16		
JM(JGY)300-20		83.5	24	30	43.2	M20		
JM(JGY)400-12	400	89.5	27	34	49	M12	18x4	MT400
JM(JGY)400-16		89.5	27	34	49	M16		
JM(JGY)400-20		91.5	27	34	49	M20		
JM(JGY)500-16	500	100.5	30	38	55	M16	12x4	MT500
JM(JGY)500-20		100.5	30	38	55	M20		
JM(JGY)630-16	630	114	35	44	64	M16	8x4	MT630
JM(JGY)630-20		114	35	44	64	M20		
JM(JGY)630-22		114	35	44	64	M22		

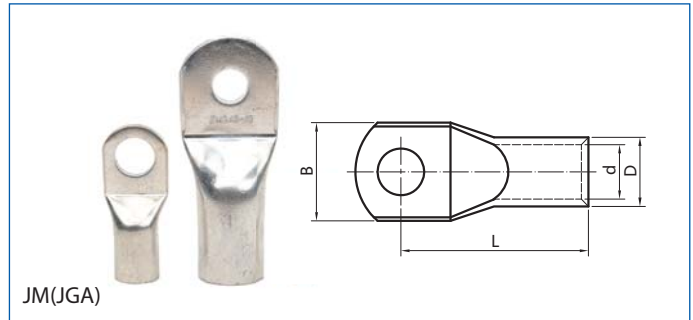
JM(JGA), CABLE LUG

Application:

Used for connection of copper cable with copper end of electrical equipment in low voltage.

Material: Cu ≥ 99.9%

Surface: tin plated



MELEC NORM

07

Make Cable CONNECTIONS More Reliable

Type	Conductor Size (mm ²)	Dimensions				Stud Size	Pack(pcs)	Crimping Die
		L(mm)	d(mm)	D(mm)	B(mm)			
JM(JGA)4-4	4	17	3.2	4.5	8	M4	1500x12	-
JM(JGA)4-5		17.5	3.2	4.5	8	M5		
JM(JGA)4-6		18	3.2	4.5	9.3	M6		
JM(JGA)6-5	6	20	3.7	5.1	9.2	M5	1000x12	-
JM(JGA)6-6		20	3.7	5.1	9.8	M6		
JM(JGA)6-8		19	3.7	5.3	12	M8		
JM(JGA)10-5	10	20	4.5	6.1	10.3	M5	800x12	-
JM(JGA)10-6		20	4.5	6.1	10.3	M6		
JM(JGA)10-8		20	4.5	6.1	12	M8		
JM(JGA)10-10		21.5	4.5	6.3	13.2	M10		
JM(JGA)16-6	16	23	5.7	7.3	11	M6	500x12	MT16
JM(JGA)16-8		24	5.7	7.3	12.5	M8		
JM(JGA)16-10		24	5.7	7.5	14	M10		
JM(JGA)25-6	25	28.5	7.2	9	13.1	M6	300x12	MT25
JM(JGA)25-8		28.5	7.2	9	13.1	M8		
JM(JGA)25-10		27.5	7.2	9	14.5	M10		
JM(JGA)25-12		29.5	7.2	9	16.5	M12		
JM(JGA)35-6	35	30	8.5	10.8	15.8	M6	600x4	MT35
JM(JGA)35-8		30	8.5	10.8	15.8	M8		
JM(JGA)35-10		31	8.5	10.8	15.8	M10		
JM(JGA)35-12		30	8.5	10.8	17.4	M12		
JM(JGA)50-6	50	34.5	9.8	12.5	18.1	M6	350x4	MT50
JM(JGA)50-8		36	9.8	12.5	18.1	M8		
JM(JGA)50-10		36	9.8	12.5	18.1	M10		
JM(JGA)50-12		36	9.8	12.5	18.3	M12		
JM(JGA)70-8	70	39.5	11.5	14.5	21	M8	250x4	MT70
JM(JGA)70-10		41	11.5	14.5	21	M10		
JM(JGA)70-12		41	11.5	14.5	21	M12		
JM(JGA)95-8	95	47	13.7	17	24.8	M8	150x4	MT95
JM(JGA)95-10		45.5	13.7	17	24.8	M10		
JM(JGA)95-12		45.5	13.7	17	24.8	M12		
JM(JGA)95-14		47	13.7	17	24.8	M14		

Type	Conductor Size (mm ²)	Dimensions				Stud Size	Pack(pcs)	Crimping Die
		L(mm)	d(mm)	D(mm)	B(mm)			
JM(JGA)120-10	120	50	15	19	27.5	M10	100x4	MT120
JM(JGA)120-12		51.5	15	19	27.5	M12		
JM(JGA)120-14		51.5	15	19	27.5	M14		
JM(JGA)120-16		53	15	19	27.5	M16		
JM(JGA)150-10	150	58	16.7	21	30	M10	80x4	MT150
JM(JGA)150-12		58	16.7	21	30	M12		
JM(JGA)150-14		58	16.7	21	30	M14		
JM(JGA)150-16		58	16.7	21	30	M16		
JM(JGA)185-10	185	64	19.2	23.5	34	M10	60x4	MT185
JM(JGA)185-12		63.5	19.2	23.5	34	M12		
JM(JGA)185-14		63.5	19.2	23.5	34	M14		
JM(JGA)185-16		63	19.2	23.5	34	M16		
JM(JGA)185-20		65.5	19.2	23.5	34	M20		
JM(JGA)240-10	240	74	21	26	37.4	M10	40x4	MT240
JM(JGA)240-12		74	21	26	37.4	M12		
JM(JGA)240-14		74	21	26	37.4	M14		
JM(JGA)240-16		74	21	26	37.4	M16		
JM(JGA)240-20		76	21	26	37.4	M20		
JM(JGA)300-12	300	80.5	24	30	43.2	M12	25x4	MT300
JM(JGA)300-14		82.5	24	30	43.2	M14		
JM(JGA)300-16		80.5	24	30	43.2	M16		
JM(JGA)300-20		83.5	24	30	43.2	M20		
JM(JGA)400-12	400	89.5	27	34	49	M12	18x4	MT400
JM(JGA)400-16		89.5	27	34	49	M16		
JM(JGA)400-20		91.5	27	34	49	M20		
JM(JGA)500-12	500	100.5	30	38	55	M12	12x4	MT500
JM(JGA)500-16		100.5	30	38	55	M16		
JM(JGA)500-20		100.5	30	38	55	M20		
JM(JGA)630-8/4	630	96	35	44	64	4xM8	8x4	MT630
JM(JGA)630-10/4		96	35	44	64	4xM10		
JM(JGA)630-12/4		96	35	44	64	4xM12		
JM(JGA)630-16		114	35	44	64	M16		
JM(JGA)630-20		114	35	44	64	M20		

JM(JGB), CABLE LUG

Application:

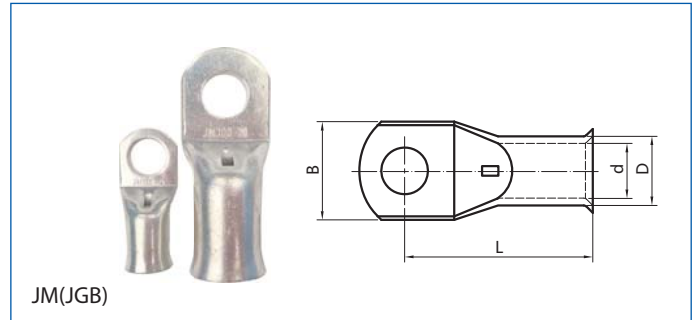
Used for connection of copper cable with copper end of electrical equipment in low voltage.

Material: Cu ≥ 99.9%

Surface: tin plated

Feature:

- There is a rectangular viewing window on bevel for checking the location of conductor.
- Barrel end with bell mouth for easy cable installation.



JM(JGB)

Type	Conductor Size (mm ²)	Dimensions				Stud Size	Pack(pcs)	Crimping Die
		L(mm)	d(mm)	D(mm)	B(mm)			
JM(JGB)6-5	6	20.5	3.7	5.1	9.2	M5	1000x12	-
JM(JGB)6-6		20	3.7	5.1	9.8	M6		
JM(JGB)6-8		19	3.7	5.3	12	M8		
JM(JGB)10-6	10	21	4.5	6.1	10.3	M6	800x12	-
JM(JGB)10-8		20	4.5	6.1	12	M8		
JM(JGB)10-10		21.5	4.5	6.3	13.2	M10		
JM(JGB)16-6	16	23	5.7	7.3	11	M6	500x12	MT16
JM(JGB)16-8		24	5.7	7.3	12.5	M8		
JM(JGB)16-10		24	5.7	7.5	14	M10		
JM(JGB)25-6	25	28.5	7.2	9	13.1	M6	300x12	MT25
JM(JGB)25-8		28.5	7.2	9	13.1	M8		
JM(JGB)25-10		27.5	7.2	9	14.5	M10		
JM(JGB)35-6	35	30	8.5	10.8	15.8	M6	600x4	MT35
JM(JGB)35-8		30	8.5	10.8	15.8	M8		
JM(JGB)35-10		31	8.5	10.8	15.8	M10		
JM(JGB)35-12		30	8.5	10.8	17.4	M12		
JM(JGB)50-6	50	34.5	9.8	12.5	18.1	M6	350x4	MT50
JM(JGB)50-8		36	9.8	12.5	18.1	M8		
JM(JGB)50-10		36	9.8	12.5	18.1	M10		
JM(JGB)50-12		36	9.8	12.5	18.3	M12		
JM(JGB)70-8	70	39.5	11.5	14.5	21	M8	250x4	MT70
JM(JGB)70-10		41	11.5	14.5	21	M10		
JM(JGB)70-12		41	11.5	14.5	21	M12		
JM(JGB)95-8	95	46.5	13.7	17	24.8	M8	150x4	MT95
JM(JGB)95-10		45.5	13.7	17	24.8	M10		
JM(JGB)95-12		45.5	13.7	17	24.8	M12		
JM(JGB)95-14		47	13.7	17	24.8	M14		

Type	Conductor Size (mm ²)	Dimensions				Stud Size	Pack(pcs)	Crimping Die
		L(mm)	d(mm)	D(mm)	B(mm)			
JM(JGB)120-10	120	50.5	15	19	27.5	M10	100x4	MT120
JM(JGB)120-12		51	15	19	27.5	M12		
JM(JGB)120-14		51	15	19	27.5	M14		
JM(JGB)120-16		53	15	19	27.5	M16		
JM(JGB)150-10	150	58	16.7	21	30	M10	80x4	MT150
JM(JGB)150-12		58	16.7	21	30	M12		
JM(JGB)150-14		58	16.7	21	30	M14		
JM(JGB)150-16		58	16.7	21	30	M16		
JM(JGB)185-8	185	63.5	19.2	23.5	34	M8	60x4	MT185
JM(JGB)185-10		63.5	19.2	23.5	34	M10		
JM(JGB)185-12		63.5	19.2	23.5	34	M12		
JM(JGB)185-14		63.5	19.2	23.5	34	M14		
JM(JGB)185-16		63	19.2	23.5	34	M16		
JM(JGB)240-10	240	74	21	26	37.4	M10	40x4	MT240
JM(JGB)240-12		74	21	26	37.4	M12		
JM(JGB)240-14		74	21	26	37.4	M14		
JM(JGB)240-16		74	21	26	37.4	M16		
JM(JGB)240-20		76	21	26	37.4	M20		
JM(JGB)300-16	300	80.5	24	30	43.2	M16	25x4	MT300
JM(JGB)300-20		80.5	24	30	43.2	M20		
JM(JGB)400-16	400	89.5	27	34	49	M16	18x4	MT400
JM(JGB)400-20		91.5	27	34	49	M20		
JM(JGB)500-16	500	100.5	30	38	55	M16	12x4	MT500
JM(JGB)500-20		100.5	30	38	55	M20		

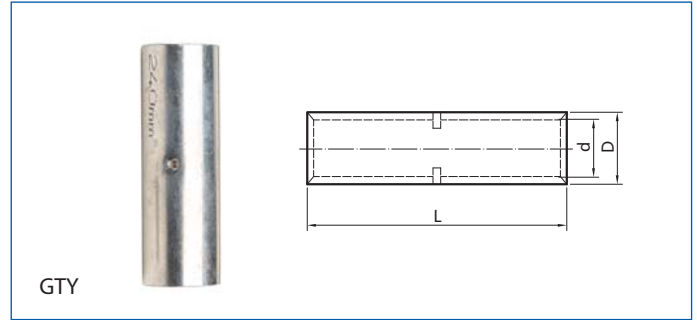
GTY, CABLE LINK

Application:

Used for intermediate connection of copper cables in low voltage.

Material : Cu ≥ 99.9%

Surface : tin plated



Type	Conductor Size (mm ²)	Dimensions			Pack(pcs)	Crimping Die
		L(mm)	d(mm)	D(mm)		
GTY-2-1.5	1.5	20	1.9	3.1	2000x12	-
GTY-2-2.5	2.5	20	2.8	4	2000x12	-
GTY-2-4	4	20	3.2	4.5	1500x12	-
GTY-2-6	6	25	3.7	5.1	1000x12	-
GTY-2-10	10	30	4.5	6.1	600x12	-
GTY-2-16	16	35	5.7	7.3	400x12	MT16
GTY-2-25	25	40	7.2	9	300x8	MT25
GTY-2-35	35	45	8.5	10.8	200x8	MT35
GTY-2-50	50	50	9.8	12.5	150x8	MT50
GTY-2-70	70	55	11.5	14.5	100x8	MT70
GTY-2-95	95	60	13.7	17	70x8	MT95
GTY-2-120	120	65	15	19	50x8	MT120
GTY-2-150	150	70	16.7	21	70x4	MT150
GTY-2-185	185	75	19.2	23.5	60x4	MT185
GTY-2-240	240	80	21	26	45x4	MT240
GTY-2-300	300	85	24	30	30x4	MT300
GTY-2-400	400	90	27	34	20x4	MT400
GTY-2-500	500	100	30	38	16x4	MT500
GTY-2-630	630	110	35	44	10x4	MT630
GTY-2-800	800	150	39	50	6x4	MT800
GTY-2-1000	1000	170	44	56	4x4	MT1000

TM, CABLE LUG

Application:

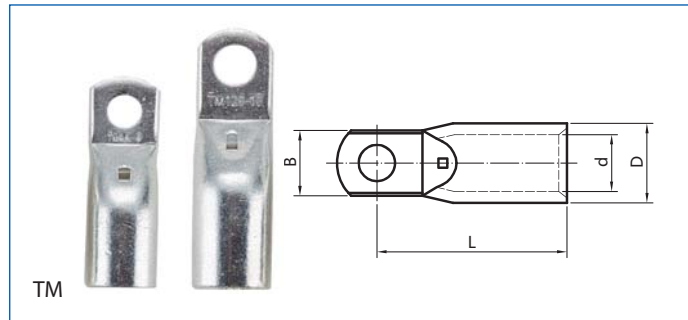
Used for connection of copper cable with copper end of electrical equipment in low voltage.

Material: Cu ≥ 99.9%

Surface: tin plated

Feature:

- There is a rectangular viewing window on bevel for checking the location of conductor.
- Narrow palm design, especially suitable for equipment with narrow contact area or space such as connections of MCCB and motors.



Type	Conductor Size (mm ²)	Dimensions				Stud Size	Pack(pcs)	Crimping Die
		L(mm)	d(mm)	D(mm)	B(mm)			
TM10-5	10	21	4.3	6.3	9	M5	3000x2	MTA10
TM16-5	16	25	5.6	7.8	9	M5	2000x2	MTA16
TM25-5	25	29	7	9.3	9	M5	800x2	MTA25
TM35-6	35	33.5	8.4	10.8	11.5	M6	700x2	MTA35
TM50-6	50	37.5	9.5	12.5	12.8	M6	500x2	MTA50
TM50-8		37.5	9.5	12.5	12.8	M8		
TM50-10		37.5	9.5	12.5	12.8	M10		
TM70-6	70	41	11.2	14.8	15.8	M6	400x2	MTA70
TM70-8		41	11.2	14.8	15.8	M8		
TM70-10		41	11.2	14.8	15.8	M10		
TM95-8	95	46	13.5	17.9	17.8	M8	200x2	MTA95
TM95-10		46	13.5	17.9	17.8	M10		
TM120-8	120	59	15.6	20	19	M8	150x2	MTA120
TM120-10		58.5	15.6	20	19	M10		
TM150-8	150	65.5	16.7	21.8	24	M8	130x2	MTA150
TM150-10		65.5	16.7	21.8	24	M10		
TM185-10	185	69.5	19	24.2	24.5	M10	100x2	MTA185
TM185-12		69.5	19	24.2	24.5	M12		

U-T, "C" Type Connector

Application:

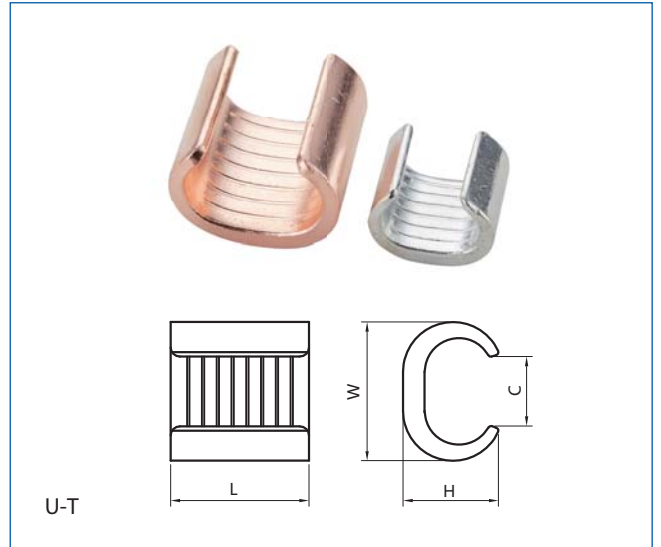
Used for intermediate connection of copper cables in low voltage.

Material: Cu ≥ 99.9%

Surface: tin plated

Feature:

- Internal surface is indented to improve tensile strength.
- Chamfered mouth to protect conductor from damage.



Type	Conductor Size (mm ²)	Dimensions				Pack(pcs)
		L(mm)	H(mm)	W(mm)	C(mm)	
U-T44	27-44	20	14	19	8.3	360X4
U-T60	45-60	22.5	15	21.4	10.8	280X4
U-T76	61-76	22.5	17	24	9.5	200X4
U-T98	77-98	25	19	28	14.5	140X4
U-T122	99-122	26	21	29.3	14	140X4
U-T154	123-154	28	25	35	17	80X4
U-T190	155-190	35	25	36.5	17	75X4
U-T240	191-240	40	29	40	20	50X4
U-T288	241-288	45	32	44	22	36X4
U-T365	289-365	50	34	48	27.5	30X4
U-T450	366-450	60	41	56.5	28	16X4

CALB-N, BIMETAL LUG

Application:

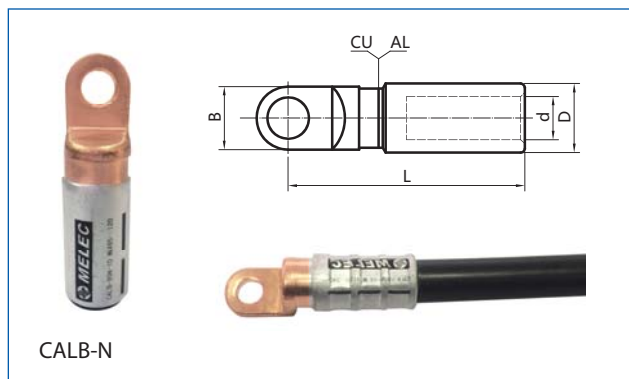
Used for transition connection of aluminium cable or aluminium alloy cable with copper end of electrical equipment in low voltage.

Material: Al ≥ 99.5%, Cu ≥ 99.9%

Feature:

- Oil blocking structure
- Friction welded
- Narrow palm design, especially suitable for equipment with narrow contact area or space such as connections of MCCB and motors.
- Clear markings on barrel to indicate correct crimping location, together with Melec standard crimping die.
- Prefilled with jointing compound.

Standard: IEC 61238-1:2003



CALB-N



Type	Conductor Size (mm ²)	Dimensions				Stud size	Pack(pcs)	Crimping Die
		L(mm)	d(mm)	D(mm)	B(mm)			
CALB-10N-8	10	54	4.5	12.5	14	M8	120X8	MLA10 ~ 35
CALB-16N-8	16	54	5.5	12.5	14	M8	120X8	MLA10 ~ 35
CALB-25N-8	25	54	7	12.5	14	M8	120X8	MLA10 ~ 35
CALB-35N-8	35	54	8	12.5	14	M8	120X8	MLA10 ~ 35
CALB-50N-8	50	59	9	15	16	M8	60X8	MLA50
CALB-50N-10		59	9	15	16	M10		
CALB-70N-8	70	59	11	17.5	16	M8	60X8	MLA70
CALB-70N-10		59	11	17.5	16	M10		
CALB-95N-10	95	65	12.5	21	20	M10	80X4	MLA95 ~ 120
CALB-95N-12		65	12.5	21	20	M12		
CALB-120N-10	120	65	13.7	21	20	M10	80x4	MLA95 ~ 120
CALB-120N-12		65	13.7	21	20	M12		
CALB-150N-10	150	75.5	15.5	28	25	M10	40x4	MLA150 ~ 240
CALB-150N-12		75.5	15.5	28	25	M12		
CALB-185N-10	185	75.5	17	28	25	M10	40x4	MLA150 ~ 240
CALB-185N-12		75.5	17	28	25	M12		
CALB-240N-10	240	75.5	19.5	28	25	M10	40x4	MLA150 ~ 240
CALB-240N-12		75.5	19.5	28	25	M12		
CALB-300N-12	300	94	22	32	30	M12	25x4	MLA300
CALB-300N-16		92	22	32	30	M16		
CALB-400N-12	400	100	25.1	36	30	M12	20x4	MLA400
CALB-400N-16		98	25.1	36	30	M16		

MCCB, BIMETAL LUG

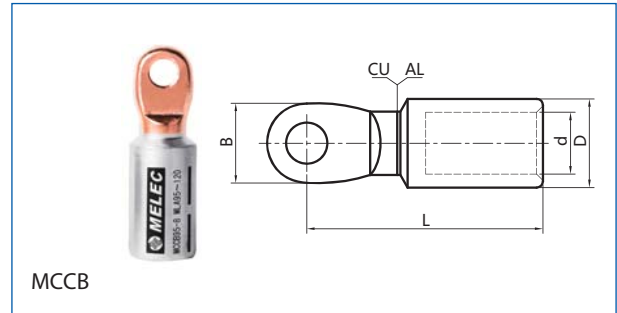
Application:

Used for transition connection of aluminium cable or aluminium alloy cable with copper end of electrical equipment in low voltage.

Material: Al ≥ 99.5%, Cu ≥ 99.9%

Feature:

- Central palm
 - Oil blocking structure
 - Friction welded
 - Narrow palm design, especially suitable for equipment with narrow contact area or space such as connections of MCCB and motors.
 - Clear markings on barrel to indicate correct crimping location, together with Melec standard crimping die.
 - Prefilled with jointing compound.
- Standard:** IEC 61238-1:2003



Type	Conductor Size (mm ²)	Dimensions				Stud Size	Pack(pcs)	Crimping Die
		L(mm)	d(mm)	D(mm)	B(mm)			
MCCB10-8	10	53	4.5	12.5	14	M8	150x8	MLA10~35
MCCB16-8	16	53	5.5	12.5	14	M8	150x8	MLA10~35
MCCB25-8	25	53	7	12.5	14	M8	140x8	MLA10~35
MCCB35-8	35	53	8	12.5	14	M8	140x8	MLA10~35
MCCB50-8	50	56	9	15	16	M8	80x8	MLA50
MCCB70-8	70	56	11	17.5	16	M8	80x8	MLA70
MCCB95-8	95	59	12.5	21	18	M8	50x8	MLA95~120
MCCB95-10		59	12.5	21	18	M10		
MCCB120-8	120	59	13.7	21	18	M8	100x4	MLA95~120
MCCB150-8	150	77	15.5	28	25	M8	40x4	MLA150~240
MCCB150-10		76	15.5	28	25	M10		
MCCB150-12		74.5	15.5	28	25	M12		
MCCB185-8	185	77	17	28	25	M8	40x4	MLA150~240
MCCB185-10		76	17	28	25	M10		
MCCB185-12		74.5	17	28	25	M12		
MCCB240-8	240	77	19.5	28	25	M8	40x4	MLA150~240
MCCB240-10		76	19.5	28	25	M10		
MCCB240-12		74.5	19.5	28	25	M12		
MCCB300-10	300	90	22	32	30	M10	30x4	MLA300
MCCB300-12		88.5	22	32	30	M12		
MCCB300-16		86.5	22	32	30	M16		
MCCB400-10	400	95	25.1	36	32	M10	25x4	MLA400
MCCB400-12		93.5	25.1	36	32	M12		
MCCB400-16		91.5	25.1	36	32	M16		

ATL, BIMETAL LUG

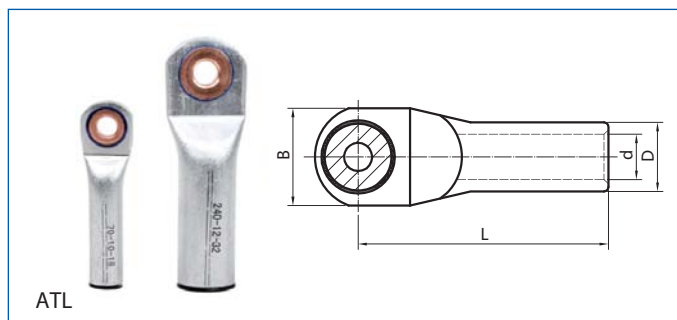
Application:

Used for transition connection of aluminium cable or aluminium alloy cable with copper end of electrical equipment in low voltage.

Material: Al \geq 99.5%, Cu \geq 99.9%

Feature:

- Epoxy resin applied on the contact area of copper and aluminium.
- Clear markings on barrel to indicate correct crimping location, together with DIN standard crimping die.
- Prefilled with jointing compound.



Type	Conductor Size (mm ²)	Dimensions				Stud Size	Pack(pcs)	Crimping Die
		L(mm)	d(mm)	D(mm)	B(mm)			
ATL16-8	16	52	5.8	12	22	M8	160x8	DL12
ATL16-10		52	5.8	12	25	M10		
ATL25-8	25	60	6.8	12	22	M8	160x8	DL12
ATL25-10		60	6.8	12	25	M10		
ATL35-8	35	67	8	14	22	M8	80x8	DL14
ATL35-10		67	8	14	25	M10		
ATL35-12		67	8	14	30	M12		
ATL50-8	50	72	9.8	16	25	M8	50x8	DL16
ATL50-10		72	9.8	16	27	M10		
ATL50-12		72	9.8	16	30	M12		
ATL70-8	70	86	11.2	18.5	28	M8	40x8	DL18
ATL70-10		86	11.2	18.5	29	M10		
ATL70-12		86	11.2	18.5	32	M12		
ATL95-10	95	90	13.2	22	32	M10	25x8	DL22
ATL95-12		90	13.2	22	35	M12		
ATL95-16		90	13.2	22	37.5	M16		
ATL120-10	120	91	14.7	23	34	M10	60x4	DL22
ATL120-12		91	14.7	23	35	M12		
ATL150-10	150	103	16.3	25	35	M10	30x4	DL25
ATL150-12		103	16.3	25	35	M12		
ATL150-16		103	16.3	25	41	M16		
ATL185-12	185	106	18.3	28.5	40	M12	30x4	DL28
ATL185-16		106	18.3	28.5	42	M16		
ATL240-12	240	116	21	32	45	M12	16x4	DL32
ATL240-16		116	21	32	45	M16		
ATL300-16	300	124	23.3	34	51	M16	16x4	-
ATL300-20		124	23.3	34	51	M20		

CAL-BS, BIMETAL LUG

Application :

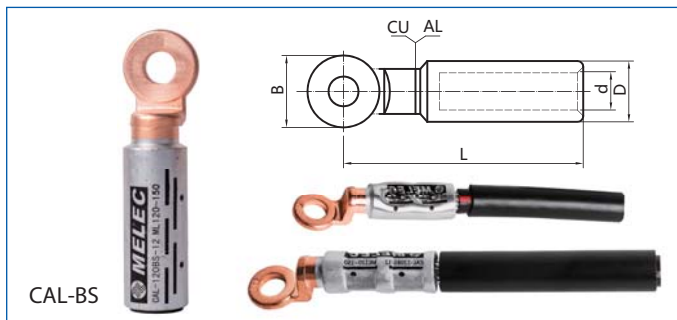
Used for transition connection of aluminium cable or aluminium alloy cable with copper end of electrical equipment in medium voltage.

Material: Al ≥ 99.5%, Cu ≥ 99.9%

Feature:

- Oil blocking structure
- Friction welded
- Clear markings on barrel to indicate correct crimping location, together with Melec standard crimping die.
- Prefilled with jointing compound.

Standard: IEC 61238-1:2003



Type	Conductor Size (mm ²)	Dimensions				Stud Size	Pack(pcs)	Crimping Die	
		L(mm)	d(mm)	D(mm)	B(mm)			Hex	Indent
CAL-10BS-8	10	69	4.5	16	20	M8	60x8	ML10~35	MLKA10~35
CAL-10BS-10		69	4.5	16	20	M10			
CAL-16BS-8	16	69	5.6	16	20	M8	60x8	ML10~35	MLKA10~35
CAL-16BS-10		69	5.6	16	20	M10			
CAL-25BS-8	25	69	6.4	16	20	M8	60x8	ML10~35	MLKA10~35
CAL-25BS-10		69	6.4	16	20	M10			
CAL-35BS-8	35	69	8.0	16	20	M8	60x8	ML10~35	MLKA10~35
CAL-35BS-10		69	8.0	16	20	M10			
CAL-50BS-10	50	76	9.0	20	24	M10	35x8	ML50~95	MLKA50~95
CAL-50BS-12		76	9.0	20	24	M12			
CAL-50BS-16		76	9.0	20	24	M16			
CAL-70BS-10	70	76	10.9	20	24	M10	35x8	ML50~95	MLKA50~95
CAL-70BS-12		76	10.9	20	24	M12			
CAL-95BS-8	95	76	12.4	20	24	M8	35x8	ML50~95	MLKA50~95
CAL-95BS-10		76	12.4	20	24	M10			
CAL-95BS-12		76	12.4	20	24	M12			
CAL-95BS-16		76	12.4	20	24	M16			
CAL-120BS-10	120	95	13.7	25	30	M10	40x4	ML120~150	MLKA120~150
CAL-120BS-12		95	13.7	25	30	M12			
CAL-120BS-16		95	13.7	25	30	M16			
CAL-150BS-10	150	95	15.5	25	30	M10	40x4	ML120~150	MLKA120~150
CAL-150BS-12		95	15.5	25	30	M12			
CAL-150BS-14		95	15.5	25	30	M14			
CAL-150BS-16		95	15.5	25	30	M16			
CAL-150BS-18		95	15.5	25	30	M18			

Type	Conductor Size (mm ²)	Dimensions				Stud Size	Pack(pcs)	Crimping Die	
		L(mm)	d(mm)	D(mm)	B(mm)			Hex	Indent
CAL-185BS-12	185	99.5	17	32	35	M12	25x4	ML185~240	MLKA185~240
CAL-185BS-14		99.5	17	32	35	M14			
CAL-185BS-16		99.5	17	32	35	M16			
CAL-240BS-10	240	99.5	19.5	32	35	M10	25x4	ML185~240	MLKA185~240
CAL-240BS-12		99.5	19.5	32	35	M12			
CAL-240BS-14		99.5	19.5	32	35	M14			
CAL-240BS-16		99.5	19.5	32	35	M16			
CAL-240BS-20		99.5	19.5	32	35	M20			
CAL-300BS-10	300	137.5	23.2	40	36	M10	12x4	ML300~400	MLKA300~400
CAL-300BS-12		137.5	23.2	40	36	M12			
CAL-300BS-14		137.5	23.2	40	36	M14			
CAL-300BS-16		137.5	23.2	40	36	M16			
CAL-400BS-12	400	137.5	26	40	36	M12	12x4	ML300~400	MLKA300~400
CAL-400BS-14		137.5	26	40	36	M14			
CAL-400BS-16		137.5	26	40	36	M16			
CAL-500BS-12	500	163	29.1	47	60x60	M12	4x4	ML500~630	MLKA500~630
CAL-500BS-16		163	29.1	47	60x60	M16			
CAL-500BS-20		163	29.1	47	60x60	M20			
CAL-630BS	630	-	32.5	47	60x60	-	4x4	ML500~630	MLKA500~630
CAL-630BS-12		163	32.5	47	60x60	M12			
CAL-630BS-16		163	32.5	47	60x60	M16			
CAL-630BS-20		163	32.5	47	60x60	M20			
CAL-800BS	800	-	37.8	60	80x80	-	2x4	ML800~1000	-
CAL-800BS-16		220	37.8	60	80x80	M16			
CAL-800BS-20		220	37.8	60	80x80	M20			
CAL-1000BS-16	1000	220	42	60	80x80	M16	2x4	ML800~1000	-
CAL-1000BS-20		220	42	60	80x80	M20			

CAL-A, BIMETAL LUG

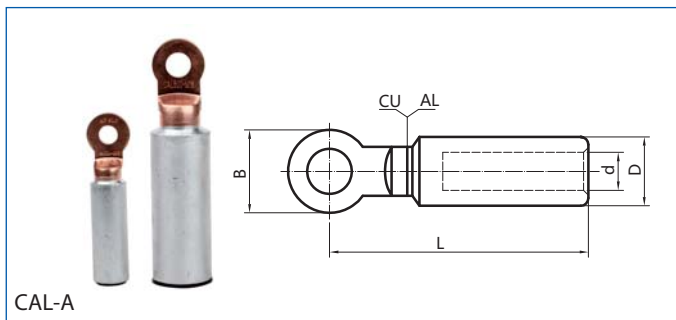
Application:

Used for transition connection of aluminium cable or aluminium alloy cable with copper end of electrical equipment in low voltage.

Material: Al ≥ 99.5%, Cu ≥ 99.9%

Feature:

- Oil blocking structure
- Friction welded
- Prefilled with jointing compound.



Type	Conductor Size (mm ²)	Dimensions				Stud Size	Pack(pcs)
		L(mm)	d(mm)	D(mm)	B(mm)		
CAL-16A-8	16	71	5.8	16	20	M8	70x8
CAL-16A-10		71	5.8	16	20	M10	
CAL-16A-12		71	5.8	16	20	M12	
CAL-25A-8	25	71	6.7	16	20	M8	70x8
CAL-25A-10		71	6.7	16	20	M10	
CAL-25A-12		71	6.7	16	20	M12	
CAL-35A-8	35	71	8.2	16	20	M8	70x8
CAL-35A-10		71	8.2	16	20	M10	
CAL-35A-12		71	8.2	16	20	M12	
CAL-50A-8	50	78	9.2	20	24	M8	40x8
CAL-50A-10		78	9.2	20	24	M10	
CAL-50A-12		78	9.2	20	24	M12	
CAL-70A-8	70	78	11.2	20	24	M8	40x8
CAL-70A-10		78	11.2	20	24	M10	
CAL-70A-12		78	11.2	20	24	M12	
CAL-70A-14		78	11.2	20	24	M14	
CAL-95A-10	95	78	12.7	20	24	M10	40x8
CAL-95A-12		78	12.7	20	24	M12	
CAL-95A-14		78	12.7	20	24	M14	
CAL-120A-10	120	101	13.9	25	30	M10	40x4
CAL-120A-12		101	13.9	25	30	M12	
CAL-120A-14		101	13.9	25	30	M14	
CAL-150A-10	150	101	15.7	25	30	M10	40x4
CAL-150A-12		101	15.7	25	30	M12	
CAL-150A-14		101	15.7	25	30	M14	
CAL-150A-16		101	15.7	25	30	M16	

Type	Conductor Size (mm ²)	Dimensions				Stud Size	Pack(pcs)
		L(mm)	d(mm)	D(mm)	B(mm)		
CAL-185A-10	185	107.5	17.5	32	35	M10	25x4
CAL-185A-12		107.5	17.5	32	35	M12	
CAL-185A-14		107.5	17.5	32	35	M14	
CAL-185A-16		107.5	17.5	32	35	M16	
CAL-240A-10	240	107.5	19.7	32	35	M10	25x4
CAL-240A-12		107.5	19.7	32	35	M12	
CAL-240A-14		107.5	19.7	32	35	M14	
CAL-240A-16		107.5	19.7	32	35	M16	
CAL-300A-10	300	112	23.5	34	36	M10	20x4
CAL-300A-12		112	23.5	34	36	M12	
CAL-300A-14		112	23.5	34	36	M14	
CAL-300A-16		112	23.5	34	36	M16	
CAL-400A-10	400	112	26.5	40	36	M10	16x4
CAL-400A-12		112	26.5	40	36	M12	
CAL-400A-14		112	26.5	40	36	M14	
CAL-400A-16		112	26.5	40	36	M16	
CAL-500A-10	500	148	29	41	36	M10	12x4
CAL-500A-12		148	29	41	36	M12	
CAL-500A-16		148	29	41	36	M16	
CAL-500A-20		148	29	41	36	M20	
CAL-630A-16	630	157.5	32.5	47	45	M16	6x4
CAL-630A-20		157.5	32.5	47	45	M20	

GTL, BIMETAL CONNECTOR

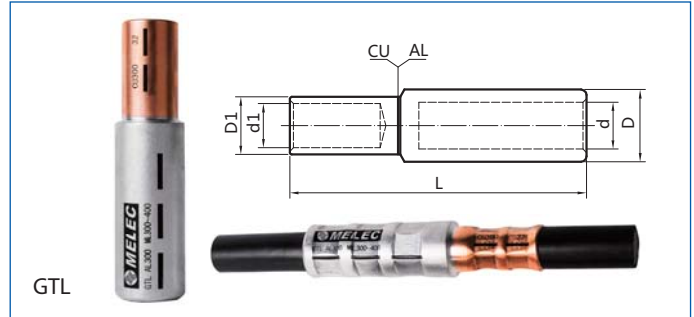
Application:

Used for intermediate transition connection of aluminium cable or aluminium alloy cable with copper cable in medium voltage.

Material: Al ≥ 99.5%, Cu ≥ 99.9%

Feature:

- Oil blocking structure
 - Friction welded
 - Clear markings on barrel to indicate correct crimping location.
 - Prefilled with jointing compound.
- Standard: IEC 61238-1:2003



Type	Conductor Size (mm ²)	Dimensions					Pack(pcs)	Crimping Die	
		L(mm)	d(mm)	D(mm)	d1(mm)	D1(mm)		Al	Cu
GTL-AL16/CU10	AL16/CU10	66.5	5.6	16	4.5	6	100x8	ML10~35	DT6
GTL-AL25/CU10	AL25/CU10	66.5	6.4	16	4.5	6	100x8	ML10~35	DT6
GTL-AL25/CU16	AL25/CU16	72.5	6.4	16	5.5	8.5	100x8	ML10~35	DT8
GTL-AL35/CU16	AL35/CU16	72.5	8.5	16	5.5	8.5	80x8	ML10~35	DT8
GTL-AL35/CU25	AL35/CU25	72.5	8.5	16	7	10	80x8	ML10~35	DT10
GTL-AL50/CU25	AL50/CU25	75	9.0	20	7	10	50x8	ML50~95	DT10
GTL-AL50/CU35	AL50/CU35	75	9.0	20	8.2	12.5	50x8	ML50~95	DT12
GTL-AL70/CU35	AL70/CU35	75	10.9	20	8.2	12.5	50x8	ML50~95	DT12
GTL-AL70/CU50	AL70/CU50	81	10.9	20	10	14.5	50x8	ML50~95	DT14
GTL-AL70/CU70	AL70/CU70	83	10.9	20	11.5	16.5	30x8	ML50~95	DT16
GTL-AL70/CU120	AL70/CU120	91	10.9	20	15.5	21	30x8	ML50~95	DT20
GTL-AL95/CU50	AL95/CU50	81	12.4	20	10	14.5	45x8	ML50~95	DT14
GTL-AL95/CU70	AL95/CU70	83	12.4	20	11.5	16.5	45x8	ML50~95	DT16
GTL-AL120/CU70	AL120/CU70	99	13.7	25	11.5	16.5	40x4	ML120~150	DT16
GTL-AL120/CU95	AL120/CU95	107	13.7	25	13.5	19	40x4	ML120~150	DT18
GTL-AL150/CU95	AL150/CU95	107	15.5	25	13.5	19	40x4	ML120~150	DT18
GTL-AL150/CU120	AL150/CU120	107	15.5	25	15.5	21	40x4	ML120~150	DT20
GTL-AL150/CU150	AL150/CU150	112	15.5	25	17	23.5	40x4	ML120~150	DT22

Type	Conductor Size (mm ²)	Dimensions					Pack(pcs)	Crimping Die	
		L(mm)	d(mm)	D(mm)	d1(mm)	D1(mm)		Al	Cu
GTL-AL185/CU95	AL185/CU95	107	17	32	13.5	19	25x4	ML185~240	DT18
GTL-AL185/CU120	AL185/CU120	107	17	32	15.5	21	25x4	ML185~240	DT20
GTL-AL185/CU150	AL185/CU150	112	17	32	17	23.5	25x4	ML185~240	DT22
GTL-AL240/CU95	AL240/CU95	107	19.5	32	13.5	16.5	25x4	ML185~240	DT18
GTL-AL240/CU120	AL240/CU120	107	19.5	32	15.5	19	25x4	ML185~240	DT20
GTL-AL240/CU150	AL240/CU150	112	19.5	32	17	23.5	25x4	ML185~240	DT22
GTL-AL240/CU185	AL240/CU185	115	19.5	32	19	25.5	25x4	ML185~240	DT25
GTL-AL240/CU240	AL240/CU240	116	19.5	32	21.5	29	25x4	ML185~240	DT28
GTL-AL300/CU185	AL300/CU185	152.5	23.2	40	19	25.5	12x4	ML300~400	DT25
GTL-AL300/CU240	AL300/CU240	153.5	23.2	40	21.5	29	12x4	ML300~400	DT28
GTL-AL300/CU300	AL300/CU300	159.5	23.2	40	24.5	32	12x4	ML300~400	DT32
GTL-AL400/CU240	AL400/CU240	153.5	26	40	21.5	29	12x4	ML300~400	DT28
GTL-AL400/CU300	AL400/CU300	159.5	26	40	24.5	32	12x4	ML300~400	DT32

GTLZ, BIMETAL PIN LUG

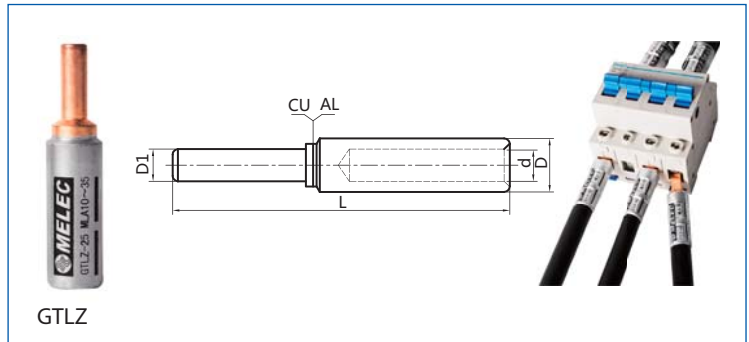
Application:

Used for transition connection of aluminium cable or aluminium alloy cable with copper end of mini circuit breaker in low voltage.

Material: Al ≥ 99.5%, Cu ≥ 99.9%

Feature:

- Oil blocking structure
 - Friction welded
 - Cylinder copper pin
 - Clear markings on barrel to indicate correct crimping location, together with Melec standard crimping die.
 - Prefilled with jointing compound.
- Standard:** IEC 61238-1:2003



Type	Conductor Size (mm ²)	Dimensions				Pack(pcs)	Crimping Die
		L(mm)	d(mm)	D(mm)	D1(mm)		
GTLZ-10	10	54	4.5	12.5	5	280x4	MLA10~35
GTLZ-16	16	54	5.5	12.5	6	140x8	MLA10~35
GTLZ-25	25	54	7.0	12.5	6	140x8	MLA10~35
GTLZ-35	35	56	8.0	12.5	7	120x8	MLA10~35
GTLZ-50	50	62	9.0	15	8	90x8	MLA50
GTLZ-70	70	67	11.0	17.5	10	50x8	MLA70
GTLZ-95	95	73	12.5	21	12	35x8	MLA95~120
GTLZ-120	120	78	13.7	21	12	55x4	MLA95~120

GTLP, BIMETAL PIN LUG

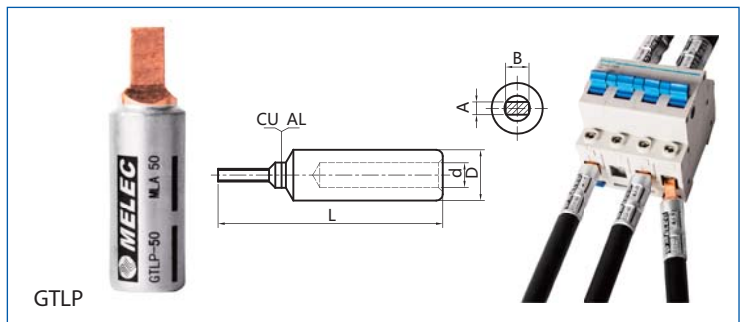
Application:

Used for transition connection of aluminium cable or aluminium alloy cable with copper end of mini circuit breaker in low voltage.

Material: Al ≥ 99.5%, Cu ≥ 99.9%

Feature:

- Oil blocking structure
 - Friction welded
 - Cubic copper pin
 - Clear markings on barrel to indicate correct crimping location, together with Melec standard crimping die.
 - Prefilled with jointing compound.
- Standard:** IEC 61238-1:2003



Type	Conductor Size (mm ²)	Dimensions					Pack(pcs)	Crimping Die
		L(mm)	d(mm)	D(mm)	B(mm)	A(mm)		
GTLP-10	10	49	4.5	12.5	5.5	3	140x8	MLA10~35
GTLP-16	16	49	5.5	12.5	5.5	3	140x8	MLA10~35
GTLP-25	25	49	7.0	12.5	5.5	3	140x8	MLA10~35
GTLP-35	35	49	8.0	12.5	6.0	4	140x8	MLA10~35
GTLP-50	50	52	9.0	15	7.0	5	120x8	MLA50
GTLP-70	70	56	11.0	17.5	8.5	6	80x8	MLA70
GTLP-95	95	62	12.5	21	9.7	7.5	60x8	MLA95~120
GTLP-120	120	62	13.7	21	9.7	7.5	60x8	MLA95~120

GLM, ALUMINIUM CONNECTOR

Application:

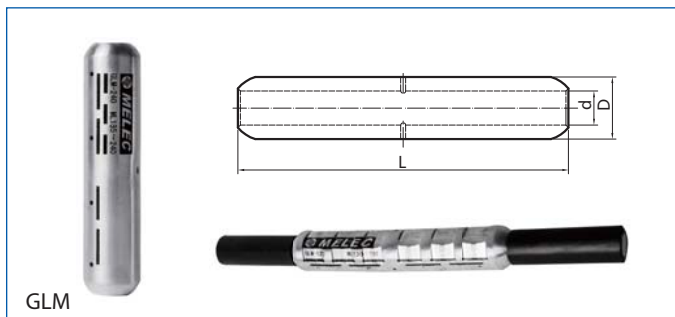
Used for intermediate connection of aluminium cable, aluminium alloy cable in medium voltage.

Material: Al ≥ 99.5%

Feature:

- Clear markings on barrel to indicate correct crimping location, together with Melec standard crimping die.
- Prefilled with jointing compound.

Standard: IEC 61238-1:2003



GLM

Type	Conductor Size (mm ²)	Dimensions			Pack(pcs)	Crimping Die	
		L(mm)	d(mm)	D(mm)		Hex	Indent
GLM-16	16	90.5	5.6	16	60x8	ML10~35	MLKC10~35
GLM-25	25	90.5	6.5	16	60x8	ML10~35	MLKC10~35
GLM-35	35	90.5	8	16	60x8	ML10~35	MLKC10~35
GLM-50	50	106.5	9	20	40x8	ML50~95	MLKC50~95
GLM-70	70	106.5	11	20	40x8	ML50~95	MLKC50~95
GLM-95	95	106.5	12.5	20	40x8	ML50~95	MLKC50~95
GLM-120	120	133	13.7	25	40x4	ML120~150	MLKC120~150
GLM-150	150	133	15.5	25	40x4	ML120~150	MLKC120~150
GLM-185	185	143.5	17	32	16x4	ML185~240	MLKC185~240
GLM-240	240	143.5	19.5	32	16x4	ML185~240	MLKC185~240
GLM-300	300	218	23.3	40	8x4	ML300~400	MLKC300~400
GLM-400	400	218	26	40	8x4	ML300~400	MLKC300~400
GLM-500	500	218.5	29.1	47	8x4	ML500~630	MLKC500~630
GLM-630	630	218.5	32.5	47	6x4	ML500~630	MLKC500~630

CLL, MECHANICAL CONNECTOR

Application:

Used for intermediate connection of aluminium cable and aluminium alloy cable in low voltage.

Material:

Body: high strength aluminium alloy

Bolts: aluminium alloy

Surface: tin plated

Feature:

- Centre with block.
- No needs of crimping tools but only a socket spanner or a wrench.
- Torque controlled shear head bolts won't cause any damage to conductor, and make connectors' working performance more stable.
- Wide application range
- Prefilled with jointing compound.

Standard: IEC 61238-1:2003



CLL

Type	Conductor Size (mm ²)	Outer Diameter	Number of Bolts	Shear-off Torque (Nm)	Wrench Size	Pack(pcs)
CLL10-35/2	10-35	16	2	8	9	150x4
CLL25-50/2	25-50	18	2	12	10	100x4
CLL50-95/2	50-95	22	2	22	13	60x4
CLL120-185/2	120-185	30	2	40	17	30x4
CLL240-300/4	240-300	36	4	55	22	15x4

Note: Shear-off torque is only a reference during installation.

JTLL, MECHANICAL BIMETAL LUG

Application:

Used for transition connection of aluminium cable or aluminium alloy cable with copper end of electrical equipment in low voltage.

Material:

Body: high strength aluminium alloy, Cu \geq 99.9%

Bolts: aluminium alloy

Feature:

- No needs of crimping tools but only a socket spanner or a wrench.
- Torque controlled shear head bolts won't cause any damage to conductor, and make lugs' working performance more stable.
- Wide application range
- Friction welded
- Prefilled with jointing compound.

Standard: IEC 61238-1:2003



JTLL

Type	Conductor Size (mm ²)	Outer Diameter (mm)	Number of Bolts	Shear-off Torque (Nm)	Wrench Size	Pack(pcs)
JTLL10-35-8/1	10-35	16	1	8	9	125x4
JTLL10-35-10/1		16	1	8	9	125x4
JTLL25-50-8/1	25-50	18	1	10	10	100x4
JTLL25-50-10/1		18	1	10	10	100x4
JTLL50-95-8/1	50-95	22	1	22	13	70x4
JTLL50-95-10/1		22	1	22	13	70x4
JTLL120-185-10/1	120-185	30	1	40	17	35x4
JTLL120-185-12/1		30	1	40	17	35x4
JTLL240-300-10/2	240-300	36	2	55	22	16x4
JTLL240-300-12/2		36	2	55	22	16x4

Note: Shear-off torque is only a reference during installation.

AUL, MECHANICAL LUG

Application:

Used for connection of copper cable, aluminium cable or aluminium alloy cable with aluminium end of electrical equipment in medium voltage.

Material:

Body: high strength aluminium alloy

Bolts: brass or aluminium alloy

Surface: tin plated

Feature:

- No needs of crimping tools but only a socket spanner or a wrench.
- Torque controlled shear head bolts won't cause any damage to conductor, and make lugs' working performance more stable.
- Wide application range
- Prefilled with jointing compound.

Standard: IEC 61238-1:2003



AUL

Type	Conductor Size (mm ²)	Outer Diameter (mm)	Number of Bolts	Shear-off Torque (Nm)	Wrench Size	Pack (pcs)
AUL25-95-12/1	25-95	24	1	17	13	40x4
AUL25-95-16/1		24	1	17	13	40x4
AUL35-150-12/1	35-150	28	1	31	17	30x4
AUL35-150-16/1		28	1	31	17	30x4
AUL35-150-12/2		28	2	31	17	20x4
AUL35-150-16/2		28	2	31	17	20x4
AUL70-240-12/2	70-240	33	2	36	19	12x4
AUL70-240-16/2		33	2	36	19	12x4
AUL120-300-12/2	120-300	38	2	40	22	9x4
AUL120-300-16/2		38	2	40	22	9x4
AUL185-400-12/3	185-400	42	3	43	22	7x4
AUL185-400-16/3		42	3	43	22	7x4
AUL300-630-12/3	300-630	52	3	56	24	4x4
AUL300-630-16/3		52	3	56	24	4x4
AUL300-630-20/3		52	3	56	24	4x4

Note: 1) Lugs with aluminium bolts are also available. Please consult MELEC sales for more details.

2) Shear-off torque is only a reference during installation.

AUL-LP, MECHANICAL LUG

Application:

Used for connection of copper cable, aluminium cable or aluminium alloy cable with aluminium end of electrical equipment in medium voltage.

Material:

Body and bolts: high strength aluminium alloy

Surface: tin plated

Feature:

- No needs of crimping tools but only a socket spanner or a wrench.
- Torque controlled shear head bolts won't cause any damage to conductor, and make lugs' working performance more stable.
- Flexible installation range
- Prefilled with jointing compound.

Standard: IEC 61238-1:2003



Type	Conductor Size (mm ²)	Outer Diameter (mm)	Hole spacing (mm)	Number of Bolts	Shear-off Torque (Nm)	Wrench Size	Pack (pcs)
AUL35-150LP-12/2	35-150	29	32~45	2	31	17	25x4
AUL70-240LP-12/2	70-240	35	32~45	2	36	19	14x4

Note: Shear-off torque is only a reference during installation.

AULZ, MECHANICAL LUG

Application:

Used for connection of copper cable, aluminium cable or aluminium alloy cable with aluminium end of electrical equipment in medium voltage.

Material:

Body: high strength aluminium alloy

Bolts: brass or aluminium alloy

Surface: tin plated

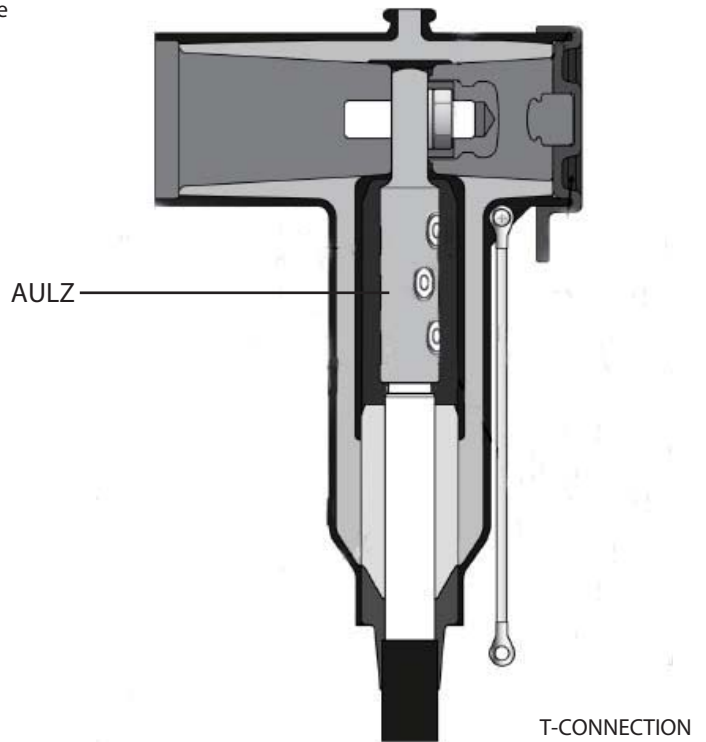
Feature:

- Central palm
- No needs of crimping tools but only a socket spanner or a wrench.
- Torque controlled shear head bolts won't cause any damage to conductor, and make lugs' working performance more stable.
- Wide application range
- Prefilled with jointing compound.

Standard: IEC 61238-1:2003



AULZ



AULZ

T-CONNECTION

Type	Conductor Size (mm ²)	Outer Diameter (mm)	Number of Bolts	Shear-off Torque (Nm)	Wrench Size	Pack(pcs)
AULZ25-95-16/1	25-95	24	1	17	13	40x4
AULZ70-240-16/2	70-240	33	2	36	19	20x4
AULZ185-400-16/3	185-400	42	3	43	22	10x4

Note: 1)Lugs with aluminium bolts are also available. Please consult MELEC sales for more details.

2)Shear-off torque is only a reference during installation.

GLL, MECHANICAL CONNECTOR

Application:

Used for intermediate connection of copper cable, aluminium cable and aluminium alloy cable in medium voltage.

Material:

Body: high strength aluminium alloy

Bolts: brass or aluminium alloy

Surface: tin plated

Feature:

- Centre with block.
- No needs of crimping tools but only a socket spanner or a wrench.
- Torque controlled shear head bolts won't cause any damage to conductor, and make connectors' working performance more stable.
- Wide application range
- Prefilled with jointing compound.

Standard: IEC 61238-1:2003



GLL

Type	Conductor Size (mm ²)	Outer Diameter (mm)	Number of Bolts	Shear-off Torque (Nm)	Wrench Size	Pack(pcs)
GLL10-35/2	10-35	19	2	8	9	60x4
GLL25-95/2	25-95	24	2	17	13	40x4
GLL35-150/2	35-150	28	2	31	17	35x4
GLL35-150/4	35-150	28	4	31	17	20x4
GLL70-240/4	70-240	33	4	36	19	15x4
GLL120-300/4	120-300	38	4	40	22	10x4
GLL185-400/6	185-400	42	6	43	22	7x4
GLL300-630/6	300-630	52	6	56	24	4x4

Note: 1) Connectors with aluminium bolts are also available. Please consult MELEC sales for more details.

2) Shear-off torque is only a reference during installation.

DTLL, MECHANICAL BIMETAL LUG

Application:

Used for transition connection of aluminium cable or aluminium alloy cable with copper end of electrical equipment in medium voltage.

Material:

Body: high strength aluminium alloy, Cu≥99.9%

Bolts: brass or aluminium alloy

Feature:

- No needs of crimping tools but only a socket spanner or a wrench.
 - Torque controlled shear head bolts won't cause any damage to conductor, and make lugs' working performance more stable.
 - Wide application range
 - Friction welded
 - Prefilled with jointing compound.
- Standard: IEC 61238-1:2003



Type	Conductor Size (mm ²)	Outer Diameter (mm)	Number of Bolts	Shear-off Torque (Nm)	Wrench Size	Pack(pcs)
DTLL25-95-12/1	25-95	24	1	17	13	40x4
DTLL35-150-12/1	35-150	28	1	31	17	30x4
DTLL35-150-16/1		28	1	31	17	30x4
DTLL35-150-12/2		28	2	31	17	20x4
DTLL35-150-16/2		28	2	31	17	20x4
DTLL70-240-12/2		70-240	33	2	36	19
DTLL70-240-16/2	33		2	36	19	12x4
DTLL120-300-12/2	120-300	38	2	40	22	9x4
DTLL120-300-16/2		38	2	40	22	9x4
DTLL185-400-12/3	185-400	42	3	43	22	7x4
DTLL185-400-16/3		42	3	43	22	7x4
DTLL300-630-12/3	300-630	52	3	56	24	4x4
DTLL300-630-16/3		52	3	56	24	4x4
DTLL300-630-20/3		52	3	56	24	4x4

Note: 1) Lugs with aluminium bolts are also available. Please consult MELEC sales for more details.

2) Shear-off torque is only a reference during installation.

TOOLS



Manual operated, specially used for installation of mechanical lugs and connectors.

Package list

- Clamp Holder: AZGJ-1050
- Ratchet: JLBS-380
- Sockets: 1 set of 7 sizes (9mm, 10mm, 13mm, 17mm, 19mm, 22mm, 24mm)

Type	Length(mm)	Package Weight (kg)	Pack(pcs)
AZGJ-1050	420	2	1x4
JLBS-380	380		

Dangerous installation problems



Bolt higher 3mm



Much burr on the chamfering



Difficult to twist off

Correct installation



33/42

GERMANY NORM

AUS, CABLE LUG	34-35
GTD, CABLE LINK	36
AU, ALUMINIUM LUG	37
GLI, ALUMINIUM CONNECTOR	38
CAL-BG, BIMETAL LUG	39
GTL D, BIMETAL CONNECTOR	40-41
GTLZD, BIMETAL PIN LUG	42



AUS, CABLE LUG

Application:

Used for connection of copper cable with copper end of electrical equipment in medium voltage.

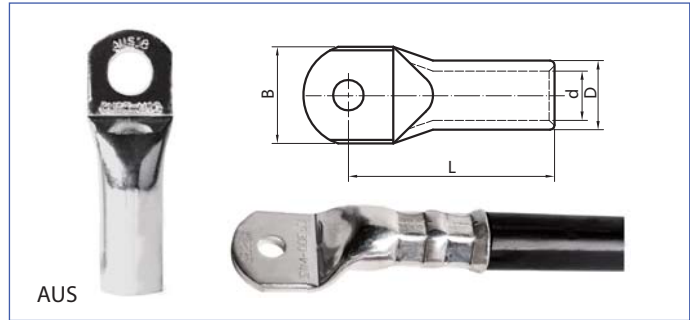
Material: Cu ≥ 99.9%

Surface: tin plated

Feature:

- Clear markings on barrel to indicate correct crimping location, together with DIN standard crimping die.

Standard: DIN 46235



Type	Conductor Size (mm ²)	Dimensions				Stud Size	Pack(pcs)	Crimping Die
		L(mm)	d(mm)	D(mm)	B(mm)			
AUS6-5	6	24	3.8	5.5	8.5	M5	600x12	-
AUS6-6		24	3.8	5.5	9	M6		
AUS6-8		24	3.8	5.5	13	M8		
AUS10-5	10	27	4.5	6	9	M5	500x12	DT6
AUS10-6		27	4.5	6	9	M6		
AUS10-8		27	4.5	6	13	M8		
AUS16-6	16	36	5.5	8.5	13	M6	200x8	DT8
AUS16-8		36	5.5	8.5	13	M8		
AUS16-10		36	5.5	8.5	17	M10		
AUS16-12		36	5.5	8.5	18	M12		
AUS25-6	25	38	7	10	14	M6	200x8	DT10
AUS25-8		38	7	10	16	M8		
AUS25-10		38	7	10	17	M10		
AUS25-12		38	7	10	19	M12		
AUS35-6	35	42	8.2	12.5	17	M6	200x4	DT12
AUS35-8		42	8.2	12.5	17	M8		
AUS35-10		42	8.2	12.5	19	M10		
AUS35-12		42	8.2	12.5	21	M12		
AUS50-8	50	52	10	14.5	20	M8	125x4	DT14
AUS50-10		52	10	14.5	22	M10		
AUS50-12		52	10	14.5	24	M12		
AUS50-14		52	10	14.5	24	M14		
AUS50-16		52	10	14.5	28	M16		
AUS70-8	70	55	11.5	16.5	24	M8	100x4	DT16
AUS70-10		55	11.5	16.5	24	M10		
AUS70-12		55	11.5	16.5	24	M12		
AUS70-14		55	11.5	16.5	24	M14		
AUS70-16		55	11.5	16.5	30	M16		

Type	Conductor Size (mm ²)	Dimensions				Stud Size	Pack(pcs)	Crimping Die
		L(mm)	d(mm)	D(mm)	B(mm)			
AUS95-8	95	65	13.5	19	28	M8	60x4	DT18
AUS95-10		65	13.5	19	28	M10		
AUS95-12		65	13.5	19	28	M12		
AUS95-14		65	13.5	19	28	M14		
AUS95-16		65	13.5	19	32	M16		
AUS120-8	120	70	15.5	21	31	M8	50x4	DT20
AUS120-10		70	15.5	21	32	M10		
AUS120-12		70	15.5	21	32	M12		
AUS120-14		70	15.5	21	32	M14		
AUS120-16		70	15.5	21	32	M16		
AUS150-10	150	78	17	23.5	34	M10	35x4	DT22
AUS150-12		78	17	23.5	34	M12		
AUS150-14		78	17	23.5	34	M14		
AUS150-16		78	17	23.5	34	M16		
AUS185-10	185	82	19	25.5	37	M10	30x4	DT25
AUS185-12		82	19	25.5	37	M12		
AUS185-14		82	19	25.5	37	M14		
AUS185-16		82	19	25.5	37	M16		
AUS185-20		82	19	25.5	40	M20		
AUS240-12	240	92	21.5	29	42	M12	20x4	DT28
AUS240-14		92	21.5	29	42	M14		
AUS240-16		92	21.5	29	42	M16		
AUS240-20		92	21.5	29	45	M20		
AUS300-12	300	100	24.5	32	48	M12	16x4	DT32
AUS300-14		100	24.5	32	48	M14		
AUS300-16		100	24.5	32	48	M16		
AUS400-16	400	115	27.5	38.5	55	M16	8x4	DT38
AUS400-20		115	27.5	38.5	55	M20		
AUS500-14	500	125	31	42	60	M14	7x4	DT42
AUS500-16		125	31	42	60	M16		
AUS630-16	630	135	34.5	44	64	M16	7x4	DT44
AUS630-20		135	34.5	44	64	M20		
AUS800-20	800	165	40	52	75	M20	7x4	-

GTD, CABLE LINK

Application:

Used for intermediate connection of copper cables in medium voltage.

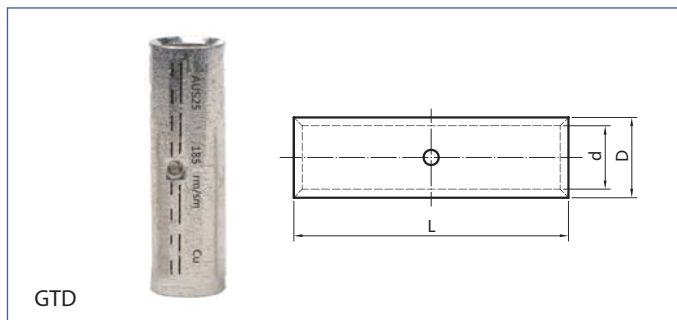
Material: Cu \geq 99.9%

Surface: tin plated

Feature:

- Clear markings on barrel to indicate correct crimping location, together with DIN standard crimping die.

Standard: DIN 46267



Type	Conductor Size (mm ²)	Dimensions			Pack(pcs)	Crimping Die
		L(mm)	d(mm)	D(mm)		
GTD6	6	30	3.8	5.5	2000x2	-
GTD10	10	30	4.5	6	2000x2	DT6
GTD16	16	50	5.5	8.5	600x2	DT8
GTD25	25	50	7	10	400x2	DT10
GTD35	35	50	8.2	12.5	250x2	DT12
GTD50	50	56	10	14.5	220x2	DT14
GTD70	70	56	11.5	16.5	160x2	DT16
GTD95	95	70	13.5	19	100x2	DT18
GTD120	120	70	15.5	21	90x2	DT20
GTD150	150	80	17	23.5	60x2	DT22
GTD185	185	85	19	25.5	55x2	DT25
GTD240	240	90	21.5	29	30x2	DT28
GTD300	300	100	24.5	32	24x2	DT32
GTD400	400	150	27.5	38.5	12x2	DT38
GTD500	500	160	31	42	10x2	DT42
GTD630	630	200	34.5	44	10x2	DT44
GTD800	800	200	40	52	6x4	-

AU, ALUMINIUM LUG

Application:

Used for connection of aluminium cable or aluminium alloy cable with aluminium end of electrical equipment in medium voltage.

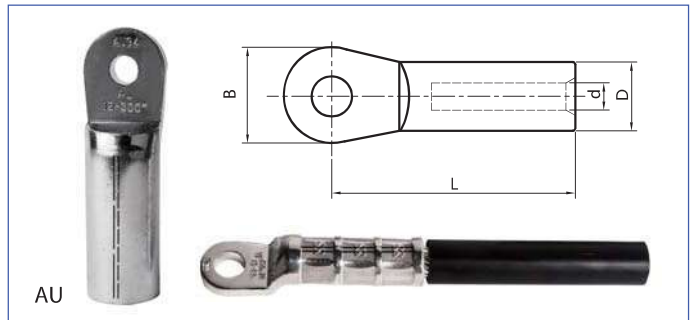
Material: Al ≥ 99.5%

Surface: tin plated

Feature:

- Oil blocking structure
- Clear markings on barrel to indicate correct crimping location, together with DIN standard crimping die.
- Prefilled with jointing compound.

Standard: DIN 46329



GERMANY NORM

37

Make Cable CONNECTIONS More Reliable

Type	Conductor Size (mm ²)	Dimensions				Stud Size	Pack(pcs)	Crimping Die
		L(mm)	d(mm)	D(mm)	B(mm)			
AU16-8	16	50	5.8	12	20	M8	150x8	DL12
AU16-10		50	5.8	12	20	M10		
AU25-8	25	50	6.8	12	25	M8	150x8	DL12
AU25-10		50	6.8	12	25	M10		
AU25-12		50	6.8	12	25	M12		
AU35-8	35	62	8	14	25	M8	100x8	DL14
AU35-10		62	8	14	25	M10		
AU35-12		62	8	14	25	M12		
AU50-10	50	62	9.8	16	25	M10	80x8	DL16
AU50-12		62	9.8	16	25	M12		
AU70-8	70	72	11.2	18.5	25	M8	50x8	DL18
AU70-10		72	11.2	18.5	25	M10		
AU70-12		72	11.2	18.5	25	M12		
AU95-8	95	77	13.2	22	25	M8	40x8	DL22
AU95-10		77	13.2	22	25	M10		
AU95-12		77	13.2	22	25	M12		
AU120-10	120	82	14.7	23	30	M10	60x4	DL22
AU120-12		82	14.7	23	30	M12		
AU120-16		82	14.7	23	30	M16		
AU150-10	150	90	16.3	25	30	M10	40x4	DL25
AU150-12		90	16.3	25	30	M12		
AU150-16		90	16.3	25	30	M16		
AU185-12	185	91	18.3	28.5	30	M12	40x4	DL28
AU185-16		91	18.3	28.5	30	M16		
AU240-12	240	103	21	32	38	M12	25x4	DL32
AU240-16		103	21	32	38	M16		
AU240-20		103	21	32	38	M20		
AU300-12	300	103	23.3	34	38	M12	25x4	DL34
AU300-16		103	23.3	34	38	M16		
AU400-12	400	116	26	38.5	38	M12	16x4	DL38
AU400-16		116	26	38.5	38	M16		
AU500-16	500	122	29	44	44	M16	12x4	DL44

GLI, ALUMINIUM CONNECTOR

Application:

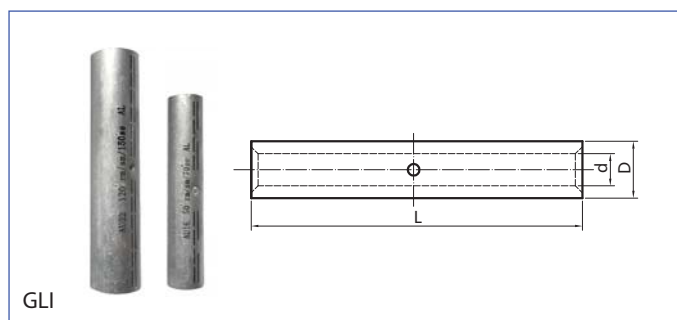
Used for intermediate connection of aluminium cable and aluminium alloy cable in medium voltage.

Material: Al \geq 99.5%

Feature:

- Clear markings on barrel to indicate correct crimping location, together with DIN standard crimping die.
- Prefilled with jointing compound.

Standard: DIN 46267



Type	Conductor Size (mm ²)	Dimensions			Pack(pcs)	Crimping Die
		L(mm)	d(mm)	D(mm)		
GLI16	16	55	5.8	12	160x8	DL12
GLI25	25	70	6.8	12	160x8	DL12
GLI35	35	85	8	14	100x8	DL14
GLI50	50	85	9.8	16	80x8	DL16
GLI70	70	105	11.2	18.5	40x8	DL18
GLI95	95	105	13.2	22	30x8	DL22
GLI120	120	105	14.7	23	50x4	DL22
GLI150	150	125	16.3	25	40x4	DL25
GLI185	185	125	18.3	28.5	30x4	DL28
GLI240	240	145	21	32	20x4	DL32
GLI300	300	145	23.3	34	15x4	-
GLI400	400	210	26	38.5	8x4	-
GLI500	500	210	29	44	8x4	-
GLI630	630	210	32.5	47	6x4	-

CAL-BG, BIMETAL LUG

Application:

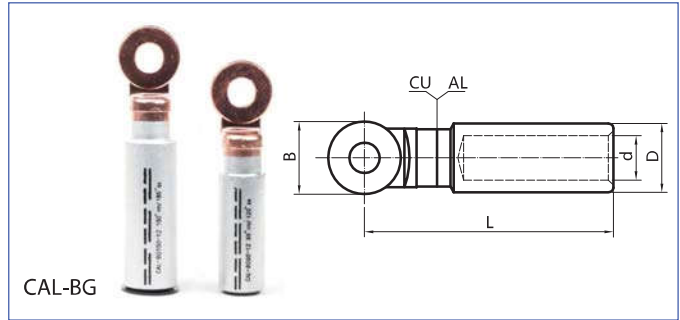
Used for transition connection of aluminium cable or aluminium alloy cable with copper end of electrical equipment in medium voltage.

Material: Al ≥ 99.5%, Cu ≥ 99.9%

Feature:

- Oil blocking structure
- Friction welded
- Clear markings on barrel to indicate correct crimping location, together with DIN standard crimping die.
- Prefilled with jointing compound.

Standard: DIN 46329



Type	Conductor Size (mm ²)	Dimensions				Stud Size	Pack(pcs)	Crimping Die
		L(mm)	d(mm)	D(mm)	B(mm)			
CAL-16BG-8	16	68	6	12	24	M8	60x8	DL12
CAL-16BG-10		68	6	12	24	M10		
CAL-25BG-8	25	68	6.8	12	24	M8	60x8	DL12
CAL-25BG-10		68	6.8	12	24	M10		
CAL-35BG-8	35	77	8	14	24	M8	50x8	DL14
CAL-35BG-10		77	8	14	24	M10		
CAL-35BG-12		77	8	14	24	M12		
CAL-50BG-8	50	77	9.8	16	24	M8	50x8	DL16
CAL-50BG-10		77	9.8	16	24	M10		
CAL-50BG-12		77	9.8	16	24	M12		
CAL-70BG-10	70	85	11.2	18.5	24	M10	40x8	DL18
CAL-70BG-12		85	11.2	18.5	24	M12		
CAL-95BG-8	95	94.5	13.2	22	24	M8	25x8	DL22
CAL-95BG-10		90.5	13.2	22	30	M10		
CAL-95BG-12		90.5	13.2	22	30	M12		
CAL-95BG-16		90.5	13.2	22	30	M16		
CAL-120BG-10	120	92	14.7	23	30	M10	50x4	DL22
CAL-120BG-12		92	14.7	23	30	M12		
CAL-120BG-16		92	14.7	23	30	M16		
CAL-150BG-10	150	104	16.3	25	30	M10	40x4	DL25
CAL-150BG-12		104	16.3	25	30	M12		
CAL-150BG-16		104	16.3	25	30	M16		
CAL-185BG-10	185	105	18.3	28.5	30	M10	30x4	DL28
CAL-185BG-12		105.5	18.3	28.5	35	M12		
CAL-185BG-16		105.5	18.3	28.5	35	M16		
CAL-240BG-10	240	118.5	21	32	35	M10	25x4	DL32
CAL-240BG-12		118.5	21	32	35	M12		
CAL-240BG-16		118.5	21	32	35	M16		
CAL-240BG-20		118.5	21	32	35	M20		
CAL-300BG-12	300	124	23.3	34	36	M12	20x4	-
CAL-300BG-16		124	23.3	34	36	M16		
CAL-300BG-20		124	23.3	34	36	M20		
CAL-400BG-12	400	133.5	26	38.5	40	M12	15x4	-

GTLD, BIMETAL CONNECTOR

Application:

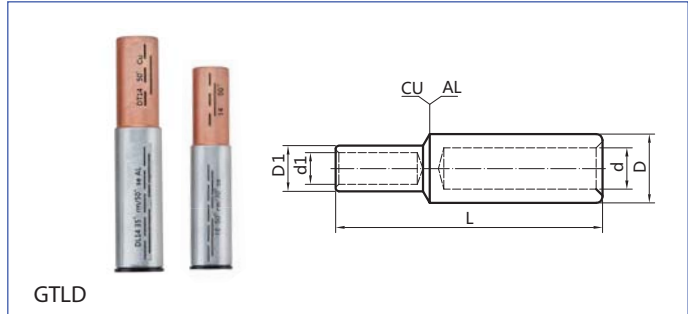
Used for intermediate connection of aluminium cable or aluminium alloy cable with copper cable in medium voltage.

Material: Al ≥ 99.5%, Cu ≥ 99.9%

Feature:

- Oil blocking structure
- Friction welded
- Clear markings on barrel to indicate correct crimping location, together with DIN standard crimping die.
- Prefilled with jointing compound.

Standard: DIN 46329(Al), DIN 46235(Cu)



Type	Conductor Size (mm ²)	Dimensions					Pack(pcs)	Crimping Die	
		L(mm)	d(mm)	D(mm)	d1(mm)	D1(mm)		Al	Cu
GTLD-AL10/CU10	AL10/CU10	55	5	10	4.5	6	240x4	DL10	DT6
GTLD-AL10/CU16	AL10/CU16	61	5	10	5.5	8.5	240x4	DL10	DT8
GTLD-AL16/CU10	AL16/CU10	55	6	12	4.5	6	200x4	DL12	DT6
GTLD-AL16/CU16	AL16/CU16	61	6	12	5.5	8.5	160x4	DL12	DT8
GTLD-AL25/CU10	AL25/CU10	55	6.8	12	4.5	6	160x4	DL12	DT6
GTLD-AL25/CU16	AL25/CU16	61	6.8	12	5.5	8.5	160x4	DL12	DT8
GTLD-AL25/CU25	AL25/CU25	61	6.8	12	7	10	160x4	DL12	DT10
GTLD-AL35/CU16	AL35/CU16	71	8	14	5.5	8.5	100x4	DL14	DT8
GTLD-AL35/CU25	AL35/CU25	71	8	14	7	10	100x4	DL14	DT10
GTLD-AL35/CU35	AL35/CU35	71	8	14	8.2	12.5	100x4	DL14	DT12
GTLD-AL35/CU50	AL35/CU50	78	8	14	10	14.5	80x4	DL14	DT14
GTLD-AL50/CU16	AL50/CU16	71.5	9.8	16	5.5	8.5	80x4	DL16	DT8
GTLD-AL50/CU25	AL50/CU25	71.5	9.8	16	7	10	80x4	DL16	DT10
GTLD-AL50/CU35	AL50/CU35	71.5	9.8	16	8.2	12.5	80x4	DL16	DT12
GTLD-AL50/CU50	AL50/CU50	79.5	9.8	16	10	14.5	80x4	DL16	DT14
GTLD-AL70/CU16	AL70/CU16	79	11.2	18	5.5	8.5	60x4	DL18	DT8
GTLD-AL70/CU25	AL70/CU25	79	11.2	18	7	10	60x4	DL18	DT10
GTLD-AL70/CU35	AL70/CU35	79	11.2	18	8.2	12.5	60x4	DL18	DT12
GTLD-AL70/CU50	AL70/CU50	85	11.2	18	10	14.5	60x4	DL18	DT14
GTLD-AL70/CU70	AL70/CU70	85	11.2	18	11.5	16.5	50x4	DL18	DT16
GTLD-AL70/CU95	AL70/CU95	95	11.2	18	13.5	19	50x4	DL18	DT18
GTLD-AL70/CU120	AL70/CU120	99	11.2	18	15.5	21	30x4	DL18	DT20

Type	Conductor Size (mm ²)	Dimensions					Pack(pcs)	Crimping Die	
		L(mm)	d(mm)	D(mm)	d1(mm)	D1(mm)		Al	Cu
GTLD-AL95/CU16	AL95/CU16	79	13.2	22	5.5	8.5	40x8	DL22	DT18
GTLD-AL95/CU25	AL95/CU25	79	13.2	22	7	10	40x8	DL22	DT10
GTLD-AL95/CU35	AL95/CU35	79	13.2	22	8.2	12.5	40x8	DL22	DT12
GTLD-AL95/CU50	AL95/CU50	85	13.2	22	10	14.5	40x8	DL22	DT14
GTLD-AL95/CU70	AL95/CU70	87	13.2	22	11.5	16.5	40x8	DL22	DT16
GTLD-AL95/CU95	AL95/CU95	95	13.2	22	13.5	19	25x8	DL22	DT18
GTLD-AL95/CU120	AL95/CU120	95	13.2	22	15.5	21	25x8	DL22	DT20
GTLD-AL120/CU35	AL120/CU35	81	14.7	23	8.2	12.5	35x8	DL22	DT12
GTLD-AL120/CU50	AL120/CU50	87	14.7	23	10	14.5	35x8	DL22	DT14
GTLD-AL120/CU70	AL120/CU70	89	14.7	23	11.5	16.5	30x8	DL22	DT16
GTLD-AL120/CU95	AL120/CU95	97	14.7	23	13.5	19	30x8	DL22	DT18
GTLD-AL120/CU120	AL120/CU120	97	14.7	23	15.5	21	25x8	DL22	DT20
GTLD-AL150/CU35	AL150/CU35	95.5	16.3	25	8.2	12.5	30x8	DL25	DT12
GTLD-AL150/CU50	AL150/CU50	98.5	16.3	25	10	14.5	30x8	DL25	DT14
GTLD-AL150/CU70	AL150/CU70	99.5	16.3	25	11.5	16.5	30x8	DL25	DT16
GTLD-AL150/CU95	AL150/CU95	107.5	16.3	25	13.5	19	25x8	DL25	DT18
GTLD-AL150/CU120	AL150/CU120	107.5	16.3	25	15.5	21	20x8	DL25	DT20
GTLD-AL150/CU150	AL150/CU150	114	16.3	25	17	23.5	20x8	DL25	DT22
GTLD-AL185/CU50	AL185/CU50	99	18.3	28.5	10	14.5	40x4	DL28	DT14
GTLD-AL185/CU95	AL185/CU95	108	18.3	28.5	13.5	19	35x4	DL28	DT18
GTLD-AL185/CU120	AL185/CU120	108	18.3	28.5	15.5	21	35x4	DL28	DT20
GTLD-AL185/CU150	AL185/CU150	113	18.3	28.5	17	23.5	30x4	DL28	DT22
GTLD-AL185/CU185	AL185/CU185	116	18.3	28.5	19	25.5	30x4	DL28	DT25
GTLD-AL240/CU50	AL240/CU50	110	21	32	10	14.5	25x4	DL32	DT14
GTLD-AL240/CU70	AL240/CU70	111	21	32	11.5	16.5	25x4	DL32	DT16
GTLD-AL240/CU95	AL240/CU95	119	21	32	13.5	19	25x4	DL32	DT18
GTLD-AL240/CU120	AL240/CU120	119	21	32	15.5	21	25x4	DL32	DT20
GTLD-AL240/CU150	AL240/CU150	124	21	32	17	23.5	25x4	DL32	DT22
GTLD-AL240/CU185	AL240/CU185	127	21	32	19	25.5	25x4	DL32	DT25
GTLD-AL240/CU240	AL240/CU240	128	21	32	21.5	29	25x4	DL32	DT28
GTLD-AL300/CU185	AL300/CU185	127	23.3	34	19	25.5	20x4	-	DT25
GTLD-AL300/CU240	AL300/CU240	128	23.3	34	21.5	29	20x4	-	DT28
GTLD-AL300/CU300	AL300/CU300	134	23.3	34	24.5	32	15x4	-	DT32

GTLZD, BIMETAL PIN LUG

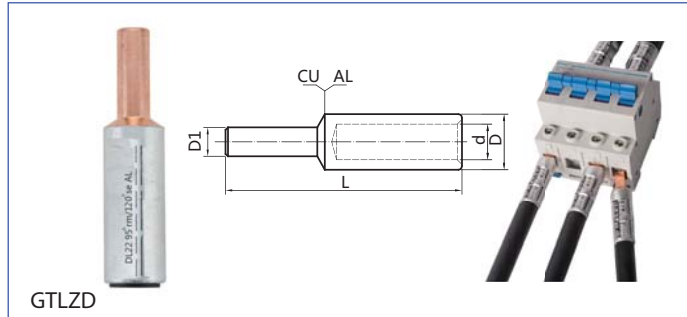
Application:

Used for transition connection of aluminium cable or aluminium alloy cable with copper end of mini circuit breaker in low voltage.

Material: Al ≥ 99.5%, Cu ≥ 99.9%

Feature:

- Oil blocking structure
 - Cylinder copper pin
 - Friction welded
 - Clear markings on barrel to indicate correct crimping location, together with DIN standard crimping die.
 - Prefilled with jointing compound.
- Standard: DIN 46329



Type	Conductor Size (mm ²)	Dimensions				Pack(pcs)	Crimping Die
		L(mm)	d(mm)	D(mm)	D1(mm)		
GTLZD16	16	58.5	6	12	6	160x4	DL12
GTLZD25	25	60	6.8	12	6	160x4	DL12
GTLZD35	35	71.2	8	14	7	100x4	DL14
GTLZD50	50	74	9.8	16	8	100x4	DL16
GTLZD70	70	87	11.2	18.5	10	50x8	DL18
GTLZD95	95	91	13.2	22	12	40x8	DL22
GTLZD120	120	98	14.7	23	12	40x8	DL22
GTLZD150	150	109	16.3	25	12	30x4	DL25
GTLZD185	185	116	18.3	28.5	14	30x4	DL28
GTLZD240	240	128	21	32	16	25x4	DL32
GTLZD300	300	131	23.3	34	18	20x4	-

43/48

FRENCH NORM

CAUBT, BIMETAL LUG	44
CXAU, BIMETAL LUG	45
RJ-U, CABLE LINK	46
RJ-XA, ALUMINIUM CONNECTOR	47
RJ-XAU, BIMETAL CONNECTOR	48



CAUBT, BIMETAL LUG

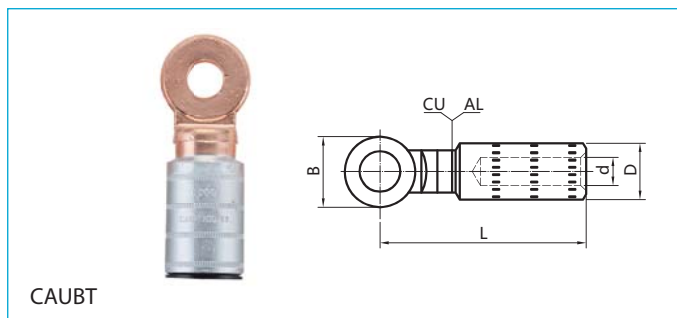
Application:

Used for transition connection of aluminium cable or aluminium alloy cable with copper end of electrical equipment in low voltage.

Material: Al \geq 99.5%, Cu \geq 99.9%

Feature:

- Oil blocking structure
 - Friction welded
 - Clear markings on barrel to indicate correct crimping location.
 - Prefilled with jointing compound.
- Standard: NF C 63-061



Type	Conductor Size (mm ²)	Dimensions				Stud size	Pack(pcs)	Crimping Die
		L(mm)	d(mm)	D(mm)	B(mm)			Hex
CAUBT35-10	35	58.5	8	16	20	M10	300	-
CAUBT50-10	50	58.5	9	16	20	M10	300	-
CAUBT70-10	70	58.5	11	20	20	M10	240	E173
CAUBT70-12		58.5	11	20	20	M12	240	E173
CAUBT95-10	95	58.5	12.5	20	20	M10	240	E173
CAUBT120-10	120	58.5	13.7	20	20	M10	240	E173
CAUBT120-12		62	13.7	20	24	M12	240	E173
CAUBT150-10	150	68	15.5	27	24	M10	150	-
CAUBT150-12		68	15.5	27	24	M12	150	-
CAUBT185-10	185	68	17	27	24	M10	120	-
CAUBT185-12		74	17	27	30	M12	120	-
CAUBT240-10	240	74	19.5	27	30	M10	120	-
CAUBT240-12		74	19.5	27	30	M12	120	-
CAUBT300-10	300	75	22	30	30	M10	90	-
CAUBT300-14		76.5	22	30	35	M14	90	-

CXAU, BIMETAL LUG

Application:

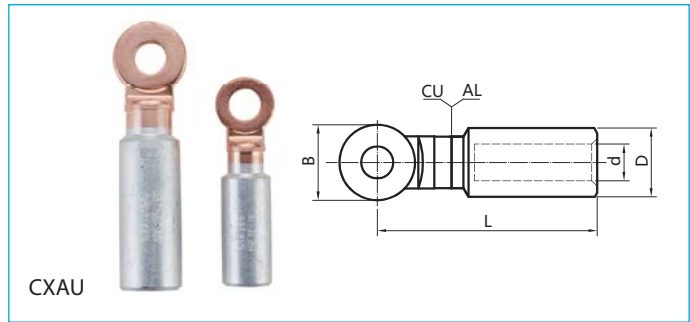
Used for transition connection of aluminium cable or aluminium alloy cable with copper end of electrical equipment in medium voltage.

Material: Al ≥ 99.5%, Cu ≥ 99.9%

Feature:

- Oil blocking structure
- Friction welded
- Prefilled with jointing compound.

Standard: NF C 33-090



CXAU

Type	Conductor Size (mm ²)	Dimensions				Stud size	Pack(pcs)	Crimping Die Indent
		L(mm)	d(mm)	D(mm)	B(mm)			
C0AU16	16	70	5.5	16	20	M10	300	MC 0E-0E
C0AU25	25	70	6.5	16	20	M10	300	MC 0E-0E
C0AU35	35	74.5	8	16	24	M12	300	MC 0E-0E
C1AU50	50	74.5	9	20	24	M12	240	MC 1E-1E
C1AU70	70	74.5	11	20	24	M12	240	MC 1E-1E
C1AU95	95	74.5	12.5	20	24	M12	240	MC 1E-1E
C2AU120	120	96	13.7	25	30	M12	150	MC 2E-2E
C2AU150	150	96	15.5	25	30	M12	150	MC 2E-2E
C4AU185	185	97.5	17	32	30	M12	90	MC 4E-4E
C4AU240	240	97.5	19.5	32	30	M12	90	MC 4E-4E
C5AU300	300	145	23.3	40	40	M16	42	MC 5E-5E
C5AU400	400	145	26	40	40	M16	42	MC 5E-5E
C6AU500	500	148	29.1	47	60X60	4xM8	16	MC 6E-6E
C6AU630	630	148	32.5	47	60X60	4xM8	16	MC 6E-6E

RJ-U, CABLE LINK

Application:

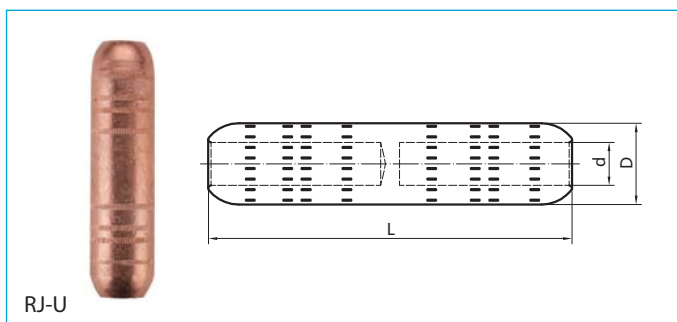
Used for intermediate connection of copper cables in medium voltage.

Material: Cu ≥ 99.9%

Feature:

- Oil blocking structure
- Clear markings on barrel to indicate correct crimping location.

Standard: NF C 33-090



Type	Conductor Size (mm ²)	Dimensions			Pack(pcs)	Crimping Die
		L(mm)	d(mm)	D(mm)		Hex
RJ-U35	35	95	8.5	20	40x4	E173
RJ-U50	50	95	9.8	20	40x4	E173
RJ-U70	70	95	11	20	40x4	E173
RJ-U95	95	95	13	20	40x4	E173
RJ-U120	120	102	14.2	25	25x4	E215
RJ-U150	150	102	16	25	25x4	E215
RJ-U240	240	102	20	32	15x4	-
RJ-U300	300	102	23	32	-	-
RJ-U500	500	162	30	40	-	-

RJ-XA, ALUMINIUM CONNECTOR

Application:

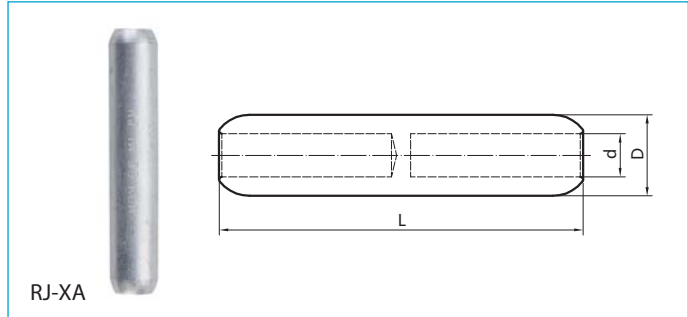
Used for intermediate connection of aluminium cable and aluminium alloy cable in medium voltage.

Material: Al ≥ 99.5%

Feature:

- Oil blocking structure
- Clear markings on barrel to indicate correct crimping location.
- Prefilled with jointing compound.

Standard: NF C 33-090



Type	Conductor Size (mm ²)	Dimensions			Pack(pcs)	Crimping Die Indent
		L(mm)	d(mm)	D(mm)		
RJ-0A-16	16	90.5	5.5	16	80x8	MJ 0E-0E
RJ-0A-25	25	90.5	6.5	16	80x8	MJ 0E-0E
RJ-0A-35	35	90.5	8	16	80x8	MJ 0E-0E
RJ-1A-50	50	106.5	9	20	80x4	MJ 1E-1E
RJ-1A-70	70	106.5	11	20	80x4	MJ 1E-1E
RJ-1A-95	95	106.5	12.5	20	80x4	MJ 1E-1E
RJ-2A-120	120	133	13.7	25	40x4	MJ 2E-2E
RJ-2A-150	150	133	15.5	25	40x4	MJ 2E-2E
RJ-4A-185	185	143.5	17	32	16x4	MJ 4E-4E
RJ-4A-240	240	143.5	19.5	32	16x4	MJ 4E-4E
RJ-5A-300	300	218	23.3	40	8x4	MJ 5E-5E
RJ-5A-400	400	218	26	40	8x4	MJ 5E-5E
RJ-6A-500	500	218.5	29.1	47	-	MJ 6E-6E
RJ-6A-630	630	218.5	32.5	47	-	MJ 6E-6E

RJ-XAU, BIMETAL CONNECTOR

Application:

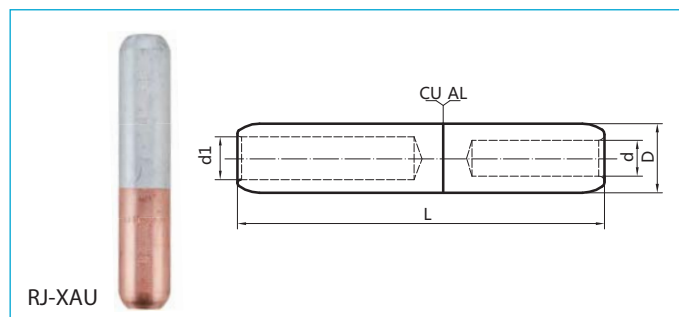
Used for transition connection of aluminium cable or aluminium alloy cable with copper cable in medium voltage.

Material: Al \geq 99.5%, Cu \geq 99.9%

Feature:

- Oil blocking structure
- Friction welded
- Prefilled with jointing compound.

Standard: NF C 33-090



RJ-XAU

Type	Conductor Size (mm ²)	Dimensions				Pack(pcs)	Crimping Die	
		L(mm)	d(mm)	D(mm)	d1(mm)		Al(Indent)	Cu(Hex)
RJ-1AU-70-35	AL70/CU35	106.5	11	20	8.5	80x4	MJ 1E-1E	E173
RJ-1AU-95-50	AL95/CU50	106.5	12.5	20	9.5	80x4	MJ 1E-1E	E173
RJ-1AU-95-70	AL95/CU70	106.5	12.5	20	11	80x4	MJ 1E-1E	E173
RJ-2AU-120-70	AL120/CU70	133	13.7	25	11	30x4	MJ 2E-2E	E215
RJ-2AU-120-95	AL120/CU95	133	13.7	25	13	30x4	MJ 2E-2E	E215
RJ-2AU-150-95	AL150/CU95	133	15.5	25	13	30x4	MJ 2E-2E	E215
RJ-2AU-150-150	AL150/CU150	133	15.5	25	16	30x4	MJ 2E-2E	E215
RJ-4AU-185-120	AL185/CU120	143.5	17	32	14.2	20x4	MJ 4E-4E	-
RJ-4AU-240-150	AL240/CU150	143.5	19.5	32	16	20x4	MJ 4E-4E	-
RJ-4AU-240-185	AL240/CU185	143.5	19.5	32	18	20x4	MJ 4E-4E	-

49/52

AUSTRALIAN NORM

JGC, CABLE LUG
GTC, CABLE LINK

50-51
52



JGC, CABLE LUG

Application:

Used for connection of copper cable with copper end of electrical equipment in medium voltage.

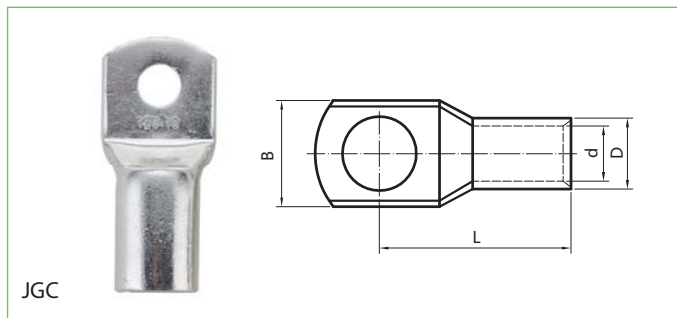
Material: Cu ≥ 99.9%

Surface: tin plated

Feature:

There is an arc-shaped viewing window on bevel for checking the location of conductor.

Standard: AS/NZS 4325.1:1995, IEC 61238-1:2003



Type	Conductor Size (mm ²)	Dimensions				Stud Size	Pack(pcs)
		L(mm)	d(mm)	D(mm)	B(mm)		
JGC2.5-4	2.5	13	2.3	3.9	8	M4	1500x12
JGC2.5-5		15	2.3	3.9	10	M5	
JGC2.5-6		15	2.3	3.9	10	M6	
JGC4-5	4	17	3	4.7	10	M5	1000x12
JGC4-6		17	3	4.7	10	M6	
JGC6-5	6	18	3.8	5.5	10	M5	800x12
JGC6-6		21	3.8	5.5	12	M6	
JGC6-8		21	3.8	5.5	12	M8	
JGC10-6	10	21	4.7	7.1	12	M6	300x12
JGC10-8		22	4.7	7.1	14	M8	
JGC10-10		23	4.7	7.1	16	M10	
JGC10-12		27	4.7	7.1	18	M12	
JGC16-6	16	31	5.5	7.9	11	M6	700x4
JGC16-8		32	5.5	7.9	14	M8	
JGC16-10		33	5.5	7.9	16	M10	
JGC16-12		36	5.5	7.9	18	M12	
JGC25-6	25	34	7.1	9.5	14	M6	500x4
JGC25-8		34	7.1	9.5	14	M8	
JGC25-10		35	7.1	9.5	16	M10	
JGC25-12		38	7.1	9.5	18	M12	
JGC35-6	35	36	8.2	11.2	16	M6	300x4
JGC35-8		36	8.2	11.2	16	M8	
JGC35-10		37	8.2	11.2	18	M10	
JGC35-12		39	8.2	11.2	20	M12	
JGC50-6	50	39	9.5	12.8	18	M6	250x4
JGC50-8		39	9.5	12.8	18	M8	
JGC50-10		39	9.5	12.8	18	M10	
JGC50-12		41	9.5	12.8	21	M12	
JGC50-16		43	9.5	12.8	25	M16	
JGC70-8	70	43	11.2	14.3	21	M8	200x4
JGC70-10		43	11.2	14.3	21	M10	
JGC70-12		43	11.2	14.3	21	M12	

AUSTRALIAN NORM

50

Make Cable CONNECTIONS More Reliable

Type	Conductor Size (mm ²)	Dimensions				Stud Size	Pack(pcs)
		L(mm)	d(mm)	D(mm)	B(mm)		
JGC95-8	95	48	13.4	17.4	25	M8	100x4
JGC95-10		48	13.4	17.4	25	M10	
JGC95-12		48	13.4	17.4	25	M12	
JGC120-8	120	52	15.6	20.6	29	M8	70x4
JGC120-10		52	15.6	20.6	29	M10	
JGC120-12		52	15.6	20.6	29	M12	
JGC150-8	150	59	16.7	22.5	32	M8	50x4
JGC150-10		59	16.7	22.5	32	M10	
JGC150-12		64	16.7	22.5	32	M12	
JGC150-16		64	16.7	22.5	32	M16	
JGC185-8	185	62	18.4	24.2	35	M8	40x4
JGC185-10		62	18.4	24.2	35	M10	
JGC185-12		67	18.4	24.2	35	M12	
JGC185-16		67	18.4	24.2	35	M16	
JGC240	240	-	21.2	28.2	40	-	25x4
JGC240-10		72	21.2	28.2	40	M10	
JGC240-12		72	21.2	28.2	40	M12	
JGC240-16		72	21.2	28.2	40	M16	
JGC300	300	-	23.5	31.3	45	-	20x4
JGC300-10		79	23.5	31.3	45	M10	
JGC300-12		79	23.5	31.3	45	M12	
JGC300-16		79	23.5	31.3	45	M16	
JGC400	400	-	26.8	34.8	50	-	15x4
JGC400-10		89	26.8	34.8	50	M10	
JGC400-12		89	26.8	34.8	50	M12	
JGC400-16		89	26.8	34.8	50	M16	
JGC500	500	-	30	38.6	56	-	12x4
JGC500-10		97	30	38.6	56	M10	
JGC500-12		97	30	38.6	56	M12	
JGC500-16		97	30	38.6	56	M16	
JGC630	630	-	34	45	65	-	6x4
JGC630-10		106	34	45	65	M10	
JGC630-12		106	34	45	65	M12	
JGC630-16		106	34	45	65	M16	

GTC, CABLE LINK

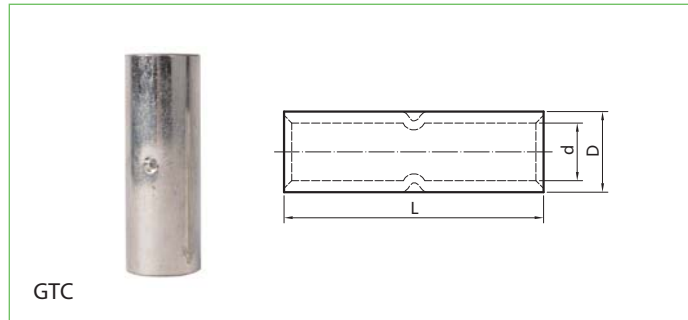
Application:

Used for intermediate connection of copper cables in medium voltage.

Material: Cu \geq 99.9%

Surface: tin plated

Standard: AS/NZS 4325.1:1995, IEC 61238-1:2003



Type	Conductor Size (mm ²)	Dimensions			Pack(pcs)
		L(mm)	d(mm)	D(mm)	
GTC-2.5	2.5	22	2.3	3.9	1300x12
GTC-4	4	22	3.0	4.7	900x12
GTC-6	6	22	3.8	5.5	800x12
GTC-10	10	22	4.7	7.1	400x12
GTC-16	16	44	5.5	7.9	600x4
GTC-25	25	48	7.1	9.5	400x4
GTC-35	35	48	8.2	11.2	300x4
GTC-50	50	48	9.5	12.8	120x8
GTC-70	70	52	11.2	14.3	100x8
GTC-95	95	54	13.4	17.4	60x8
GTC120	120	66	15.6	20.6	70x4
GTC-150	150	66	16.7	22.5	50x4
GTC-185	185	66	18.4	24.2	50x4
GTC-240	240	91	21.2	28.2	25x4
GTC-300	300	91	23.5	31.3	20x4
GTC-400	400	91	26.8	34.8	16x4
GTC-500	500	112	30	39	12x4
GTC-630	630	112	34	45	8x4

53/54

JOINTING
COMPOUND

JOINTING COMPOUND

53

Make Cable CONNECTIONS More Reliable



DDG, JOINTING COMPOUND



DDG



Jointing compound is used for aluminium connections, made from grease and zinc dust. The grease acts as a corrosion inhibitor, zinc and thickener act as electrical bridges between conductors. Jointing compound should be applied immediately after brushing to remove any oxide.

- Inhibit oxidization and corrosion
- Improve jointing conductivity
- Prevent water and contaminants

Type	Weight(g)	Pack(pcs)
DDG-W151	150	45

55/59

CABLE CONNECTORS

PARALLEL GROOVE CONNECTORS
BOLTED BRASS CONNECTORS

56-57
58-59



CUPG, COPPER PARALLEL GROOVE CONNECTOR

Application:

Used for T-connections and joint-connections between copper conductors in medium voltage.

Material:

Body: Cu≥99.9%

Bolt: hot-dip galvanized steel or stainless steel

Feature:

- Special designed screw hole and arc shape of the body allow connector to hold different cable sizes on each side.
- Indented groove enhances tensile strength and electrical conductivity.



CUPG

Type	Conductor Size of both sides (mm ²)	Bolts	Pack(pcs)
CUPG10-70/1	10-70	1	60x2
CUPG6-70/2	6-70	2	35x2
CUPG10-95/2	10-95	2	25x2
CUPG16-150/2	16-150	2	15x2

CAPG, BIMETAL PARALLEL GROOVE CONNECTOR

Application:

Used for connection of aluminium conductors and copper conductors in medium voltage.

Material:

Body: aluminium alloy with copper on one side of groove

Bolt: hot-dip galvanized steel or stainless steel

Feature:

- Advanced forging technology enhances mechanical strength of connector.
- Special designed screw hole and arc shape of the body allow connector to hold different cable sizes on each side.
- Pad under bolts ensures uniform pressure to connector.



CAPG

Type	Conductor Size (mm ²)		Bolts	Pack(pcs)
CAPG6-50/16-70/1	CU6-50	AL16-70	1	20x12
CAPG6-50/16-70/2	CU6-50	AL16-70	2	20x10
CAPG10-95/25-150/1	CU10-95	AL25-150	1	20x15
CAPG10-95/25-150/2	CU10-95	AL25-150	2	20x15
CAPG16-185/35-240/2	CU16-185	AL35-240	2	12x10
CAPG35-240/35-300/3	CU35-240	AL35-300	3	16x3

ALPG, ALUMINIUM PARALLEL GROOVE CONNECTOR

Application:

Used for connection of aluminium conductors in medium voltage.

Material:

Body: aluminium alloy

Bolt: hot-dip galvanized steel or stainless steel

Feature:

- Advanced forging technology enhances mechanical strength of connector.
- Special designed screw hole and arc shape of the body allow connector to hold different cable sizes on each side.
- Indented groove enhances tensile strength and electrical conductivity.
- Pad under bolts ensures uniform pressure to connector.



ALPG

Type	Conductor Size of both sides (mm ²)	Bolts	Pack(pcs)
ALPG16-70/1	16-70	1	20x12
ALPG16-70/2	16-70	2	20x10
ALPG16-150/2	16-150	2	20x12
ALPG35-300/3	35-300	3	16x3

JBL-A, ALUMINIUM PARALLEL GROOVE CONNECTOR

Application:

Used for connection of aluminium conductors in medium voltage.

Material:

Body: aluminium alloy

Bolt: hot-dip galvanized steel or stainless steel

Feature:

- Special designed screw hole and arc shape of the body allow connector to hold different cable sizes on each side.
- Pad under bolts ensures uniform pressure to connector.



JBL-A

Type	Conductor Size of both sides (mm ²)	Bolts	Pack(pcs)
JBL-A16-120/2	16-120	2	30x4
JBL-A16-120/3	16-120	3	20x4
JBL-A35-240/2	35-240	2	12x4
JBL-A35-240/3	35-240	3	6x4

WCJC, BOLTED BRASS CONNECTOR



Type	Conductor Size (mm ²)	Stud Size	Pack(pcs)
WCJC16-8	16	M8	200x2
WCJC25-35-10	25-35	M10	120x2
WCJC50-70-10	50-70	M10	60x2
WCJC70-95-12	70-95	M12	60x2
WCJC120-150-14	120-150	M14	40x2
WCJC185-240-16	185-240	M16	20x2
WCJC300-20	300	M20	12x2
WCJC400-22	400	M22	8x2

WCJF, BOLTED BRASS CONNECTOR



Type	Conductor Size (mm ²)	Stud Size	Pack(pcs)
WCJF10-50-12	10-50	M12	90x2
WCJF25-120-12	25-120	M12	30x2

WCJG-H, BOLTED BRASS CONNECTOR



Type	Conductor Size (mm ²)	Pack(pcs)
WCJG-H10-50	10-50	80x2
WCJG-H25-120	25-120	24x2

WCJG-T, BOLTED BRASS CONNECTOR



Type	Conductor Size (mm ²)	Pack(pcs)
WCJG-T10-50	10-50	80x2
WCJG-T25-120	25-120	24x2

WCJE, BOLTED BRASS CONNECTOR

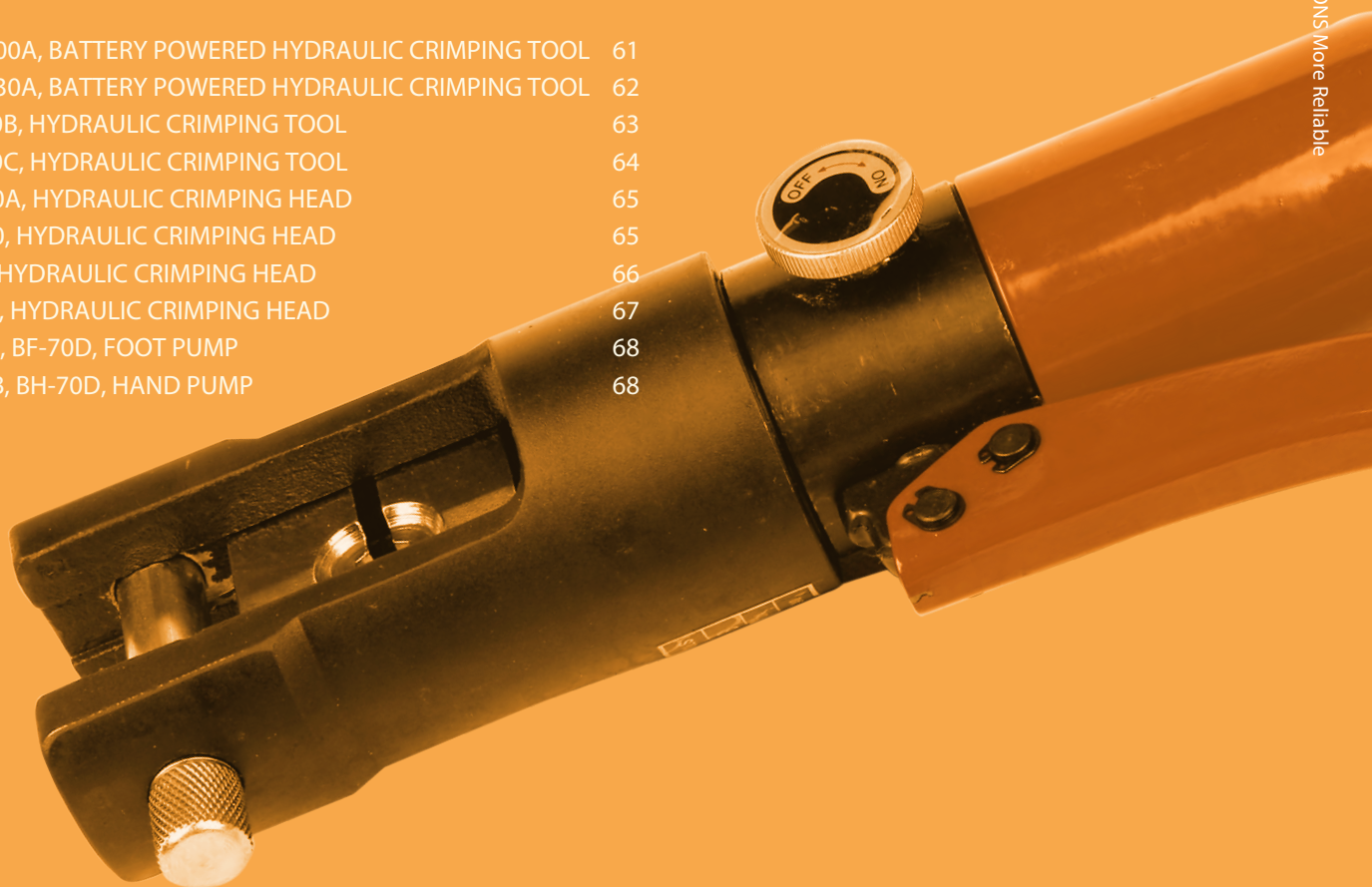


Type	Conductor Size (mm ²)	Pack(pcs)
WCJE10-50	10-50	90x2
WCJE16-95	16-95	45x2

60/68

CRIMPING TOOLS

JMD-300A, BATTERY POWERED HYDRAULIC CRIMPING TOOL	61
JMD-630A, BATTERY POWERED HYDRAULIC CRIMPING TOOL	62
JM-240B, HYDRAULIC CRIMPING TOOL	63
JM-240C, HYDRAULIC CRIMPING TOOL	64
CH-240A, HYDRAULIC CRIMPING HEAD	65
CH-630, HYDRAULIC CRIMPING HEAD	65
T-630, HYDRAULIC CRIMPING HEAD	66
T-1000, HYDRAULIC CRIMPING HEAD	67
BF-70B, BF-70D, FOOT PUMP	68
BH-70B, BH-70D, HAND PUMP	68



JMD-300A, BATTERY POWERED HYDRAULIC CRIMPING TOOL

• Battery powered hydraulic crimping tool for both copper and aluminium lugs and connectors in order to achieve convenient crimping process.

Crimping force: 100kN

Range: 16mm²-300mm²

Stroke: 20mm

Length: 370mm


Weight incl. battery: 5.8kg

Package list:

- JMD-300A
- die set
- manual
- plastic carry case
- charger (110V-240V)
- 2 pcs of batteries 18V / 4.0Ah, Li-ion



JMD-300A

Type	Crimping Shape	Conductor	Crimping Range (mm ²)	Application	Die series
JMD-300A		Copper	16-240	JGK, JGY, JGA, JGB, GTY-2	MT
			10-240	GTL(Cu), AUS, GTD, GTLD(Cu)	DT
			10-185	TM	MTA
			35-150	RJ-U, RJ-XAU(Cu)	E
		Aluminium	10-240	CAL-BS, GLM	ML
			16-240	CXAU(Al), RJ-XA	
			25-240	GTL(Al)	
			70-240	RJ-XAU(Al)	
			16-240	ATL, AU, GLI, CAL-BG, GTLZD(Al)	DL
			10-240	GTLD(Al)	MLA
			10-300	CALB-N, MCCB	
			10-120	GTLZ, GTLP	
			4-150	CPTAU, MJPB, MJPT, MJPTN	E
			70-120	CAUBT(Al)	

JMD-630A, BATTERY POWERED HYDRAULIC CRIMPING TOOL

• Battery powered hydraulic crimping tool for both copper and aluminium lugs and connectors in order to achieve convenient crimping process.

Crimping force: 230kN

Range: 120mm²-630mm²

Stroke: 30mm

Length: 540mm

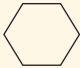
Weight incl. battery: 8.8kg

Package list:

- JMD-630A
- die set
- manual
- plastic carry case
- charger (110V-240V)
- 2 pcs of batteries 18V / 4.0Ah, Li-ion



JMD-630A

Type	Crimping Shape	Conductor	Crimping Range (mm ²)	Application	Die series
JMD-630A		Copper	185-630	JGK	MT
			185-630	JGY	
			185-630	JGA	
			185-500	JGB	
			185-630	GTU-2	DT
			185-300	GTL(Cu)	
			185-630	AUS	
			185-300	DDT	
		185-630	GTD	MLA	
		Aluminium	120-630		CAL-BS
			120-400		GTL(Al)
			120-630		GLM
			300-630		CXAU(Al)
			300-630		RJ-XA
400	CALB-N				
400	MCCB				

JM-240B, HYDRAULIC CRIMPING TOOL

- Hydraulic crimping tool for both copper and aluminium lugs and connectors.
- Selectable crimping die set for a range of lug and connector size.
- Choose appropriate die set according to table.
- Safety valve protects against over pressure.

Crimping force: 100kN

Range: 16mm²-300mm²

Stroke: 16mm

Length: 495mm

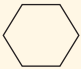
Weight: 4.5kg

Package List:

- JM-240B
- die set
- manual
- plastic carry case



JM-240B

Type	Crimping Shape	Conductor	Crimping Range (mm ²)	Application	Die series
JM-240B		Copper	16-240	JGK, JGY, JGA, JGB, GTY-2	MT
			10-240	GTL(Cu), AUS, GTD, GTLD(Cu)	DT
			10-185	TM	MTA
			35-150	RJ-U, RJ-XAU(Cu)	E
		Aluminium	10-240	CAL-BS, GLM	ML
			16-240	CXAU(Al), RJ-XA	
			25-240	GTL(Al)	
			70-240	RJ-XAU(Al)	
			16-240	ATL, AU, GLI, CAL-BG, GTLZD(Al)	DL
			10-240	GTLD(Al)	MLA
			10-300	CALB-N, MCCB	
			10-120	GTLZ, GTLP	
			4-150	CPTAU, MJPB, MJPT, MJPTN	E
			70-120	CAUBT(Al)	

JM-240C, HYDRAULIC CRIMPING TOOL

- Hydraulic crimping tool for both copper and aluminium lugs and connectors.
- Selectable crimping die set for a range of lug and connector sizes.
- Choose appropriate die set according to table.
- Light weight due to high quality aluminium housing.
- Automatic retraction when crimping operation is complete.

Crimping force: 100kN

Range: 16mm²-300mm²

Stroke: 16mm

Length: 530mm

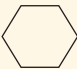
Weight: 4kg

Package List:

- JM-240C
- die set
- manual
- plastic carry case



JM-240C

Type	Crimping Shape	Conductor	Crimping Range (mm ²)	Application	Die series
JM-240C		Copper	16-240	JGK, JGY, JGA, JGB, GTY-2	MT
			10-240	GTL(Cu), AUS, GTD, GTLD(Cu)	DT
			10-185	TM	MTA
			35-150	RJ-U, RJ-XAU(Cu)	E
		Aluminium	10-240	CAL-BS, GLM	ML
			16-240	CXAU(AI), RJ-XA	
			25-240	GTL(AI)	
			70-240	RJ-XAU(AI)	
			16-240	ATL, AU, GLI, CAL-BG, GTLZD(AI)	DL
			10-240	GTLD(AI)	MLA
			10-300	CALB-N, MCCB	
			10-120	GTLZ, GTLP	
			4-150	CPTAU, MJPB, MJPT, MJPTN	
			70-120	CAUBT(AI)	

CH-240A, HYDRAULIC CRIMPING HEAD

• Used together with any of MELEC hydraulic pumps.

Crimping force: 120kN

Range: 16mm²-240mm²

Stroke: 20mm

Weight: 5.1kg

Package list:

- CH-240A
- nest die
- manual
- indenter
- fixer
- plastic carry case



Type	Crimping Shape	Conductor	Crimping Range (mm ²)	Application	Die series
CH-240A		Aluminium	10 - 240	CAL-BS	MLKA
			16 - 240	CXAU(AI)	
			10 - 240	GLM	MLKC
			16 - 240	RJ-XA	

CH-630, HYDRAULIC CRIMPING HEAD

• Can be combined with any of Melec hydraulic pumps.

• Please choose appropriate die set according to table.

Crimping force: 230kN

Range: 300mm²-630mm²

Stroke: 30mm

Weight: 7.1kg

Package list:

- CH-630
- nest die
- manual
- fixer
- hammer
- plastic carry case



Type	Crimping Shape	Conductor	Crimping Range (mm ²)	Application	Die series
CH-630		Aluminium	300-630	CAL-BS	MLKA
			300-630	CXAU(AI)	
			300-630	GLM	MLKC
			300-630	RJ-XA	

T-630, HYDRAULIC CRIMPING HEAD

- Used together with any of MELEC hydraulic pumps.

Crimping force: 230kN

Range: 120mm² - 630mm²


Stroke: 30mm

Weight: 4.7kg

Package list:

- T-630
- die set
- manual
- spare seal ring
- plastic carry case



Type	Crimping Shape	Conductor	Crimping Range (mm ²)	Application	Die series
T-630		Copper	185- 630	JGK	MT
			185- 630	JGY	
			185-630	JGA	
			185-500	JGB	
			185-630	GTY-2	
			185-630	AUS	
		185-630	GTD		
		Aluminium	120-630	CAL-BS	ML
			120-630	GLM	
			120-400	GTL(AI)	
			300-630	CXAU(AI)	
			300-630	RJ-XA	
			400	CALB-N	
400	MCCB				

T-1000, HYDRAULIC CRIMPING HEAD

• Can be combined with any of Melec hydraulic pumps.

Crimping force : 350kN

Range: 300mm²-1000mm²

Stroke: 30mm

Weight: 12kg

Package list:

- T-1000
- die set
- manual
- spare seal ring
- metal carry case



Type	Crimping Shape	Conductor	Crimping Range (mm ²)	Application	Die series
T-1000		Copper	500-1000	JGK	MT
			500-630	JGY	
			500-630	JGA	
			500-630	GTY-2	
		Aluminium	300-1000	CAL-BS	ML
			300-630	GLM	

Right connector+tool+crimping=Safe and reliable connection!



Crimping tool



Auto crimping tool

Safe and reliable connection!



Perfect crimping

Dangerous connection!



Over crimping

Under-crimping

BF-70B, BF-70D, FOOT PUMP

- Used together with any of MELEC crimping heads and can be operated easily without using hands.
- BF-70B is made of iron while BF-70D is made of aluminium alloy.
- Smooth-running and effort-saving for fast operation.

Maximum Pressure: 700Bar

Weight:

- BF-70B: 12.7kg
- BF-70D: 7.9kg

Package list:

- BF-70B / BF-70D
- manual
- metal carry case for BF-70B
- plastic carry case for BF-70D



BF-70B



BF-70D

BH-70B, BH-70D, HAND PUMP

- Used together with any of MELEC crimping heads and can be operated easily by hands.
- BH-70B is made of iron while BH-70D is made of aluminium alloy.
- Smooth-running and effort-saving for fast operation.

Maximum Pressure: 700Bar

Weight:

- BH-70B: 10.1kg
- BH-70D: 5.6kg

Package list:

- BH-70B / BH-70D
- manual
- metal carry case for BH-70B
- plastic carry case for BH-70D



BH-70B



BH-70D

Shanghai Jiameng International Trading Co.,Ltd.

Add: Room 4F, No.58 Xinjinqiao Road, Pudong
New Area, Shanghai, P.R.C. 201206

Tel: +86-21-61656998

Fax: +86-21-61656995

Jiangsu Jiameng Electrical Equipment Co.,Ltd.

Add: No.5 Zhongli Road, Binhai Industrial Zone
Qidong, Jiangsu, P.R.C. 226236

Tel: +86-513-83900000

Fax: +86-513-83601858

www.melec.com.cn

Email: info@melec.com.cn